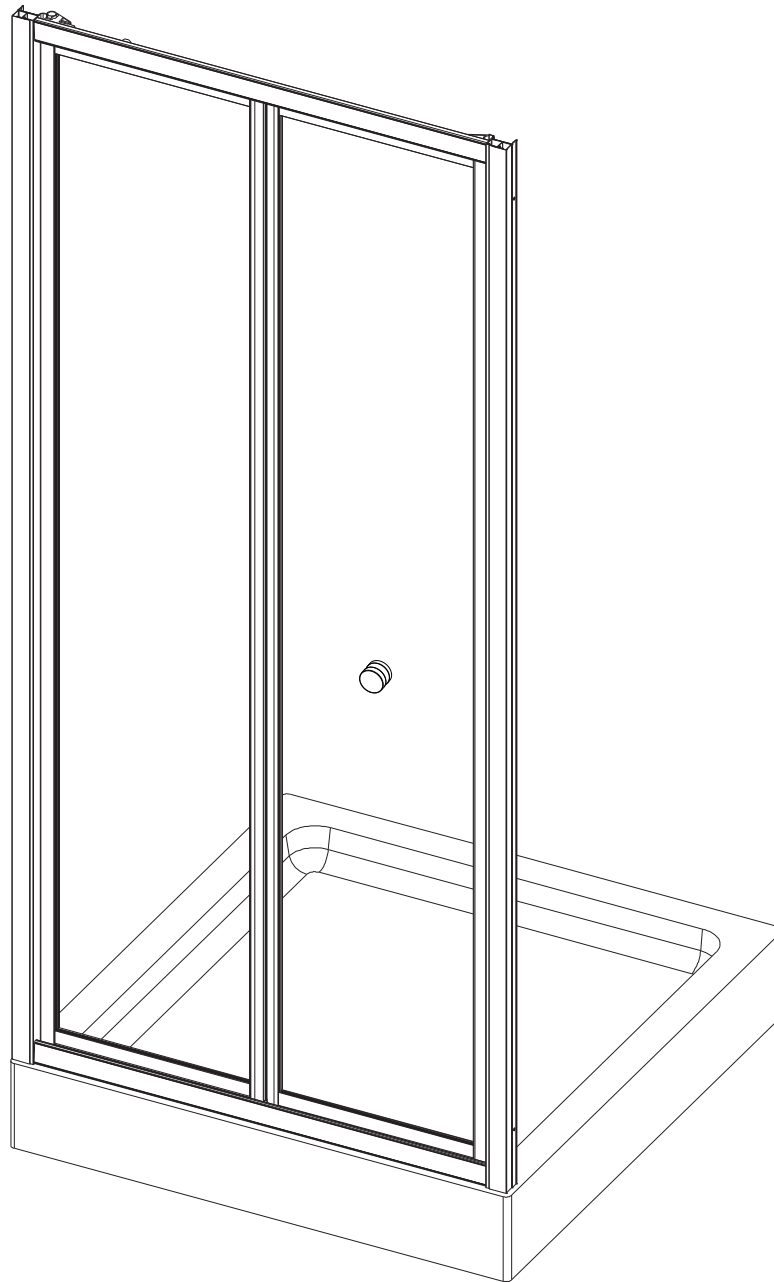


# BIFOLD DOOR

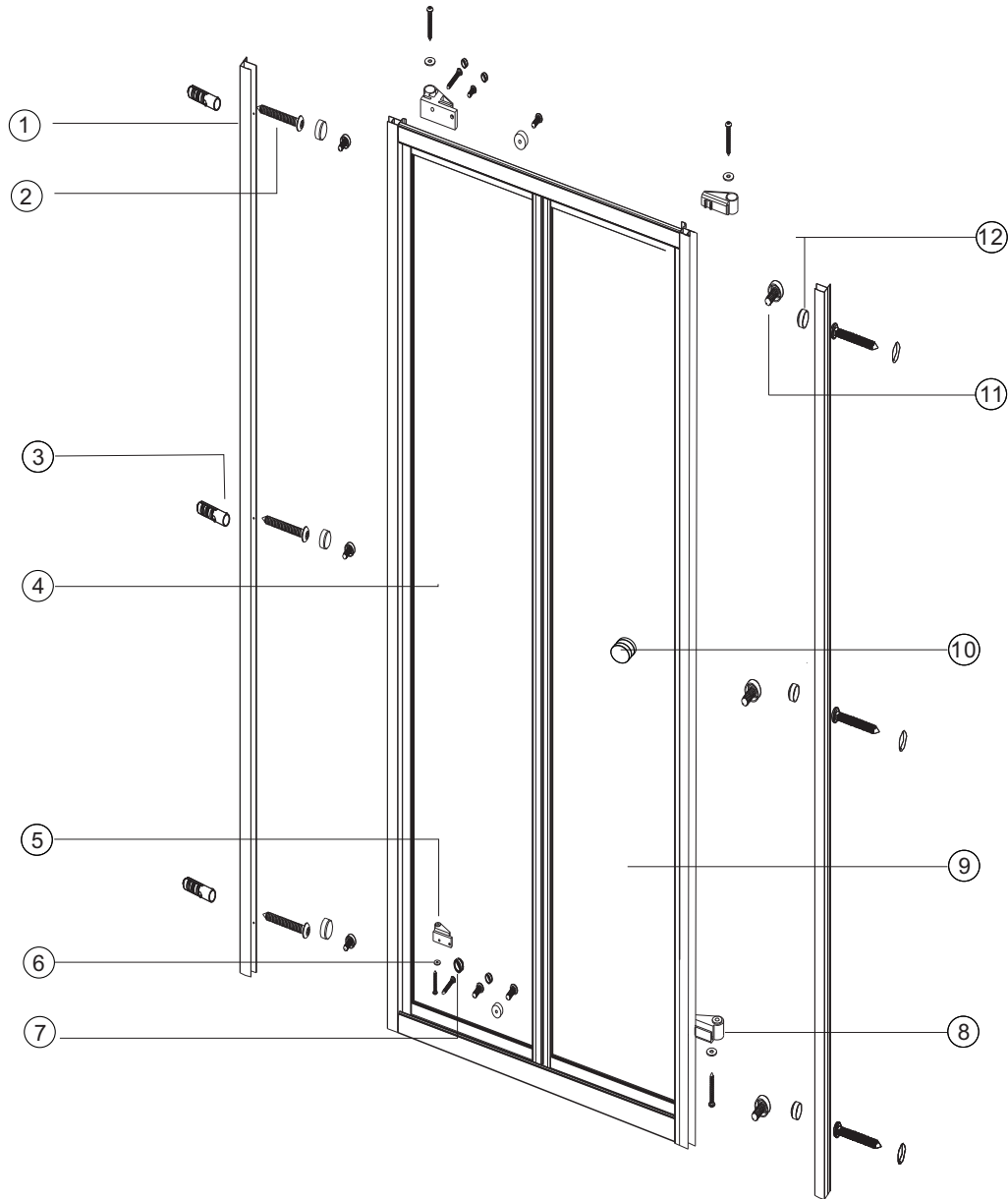


## INSTALLATION GUIDE

Size	Product code	Adjustment	Opening space
700	A1200A0	650-690	400
760	A1200B0	710-750	460
800	A1200C0	750-790	500
900	A1200D0	850-890	600

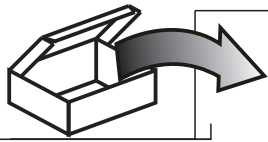
## ATTENTION

If you install the product in a way that differs from this manual this will void all guarantees. Before installation check that the product meets all your requirements and is not damaged. By proceeding with installation, You accept the condition of the product. The wall plugs supplied with the installation kit are for use in solid walls. Hollow or 'stud partition' walls will require alternative fixings. Please consult your local hardware supplier for the correct type.



NO.	Qty	Part No.
1	2	A02S0020
2	6	2SY51
3	6	2SP12
4	1	A
5	2	2SS020 L/R
6	4	2SQF2&2SQF3

NO.	Qty	Part No.
7	4	2SS020A
8	2	2SS018 L/R
9	1	B
10	1	A12S0023
11	6	2SY50
12	12	C070



C070  
x12



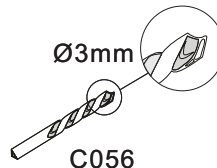
4x30mm  
2SY51  
x6



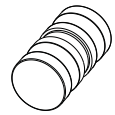
4x16mm  
2SY50  
x6



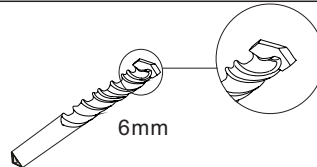
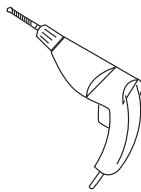
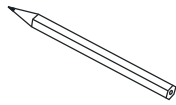
2SP12  
x6



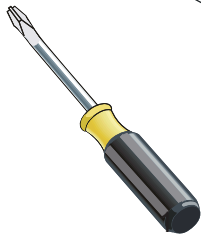
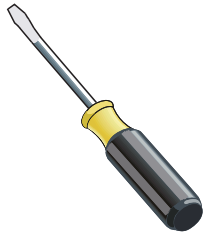
Ø3mm  
C056  
x1



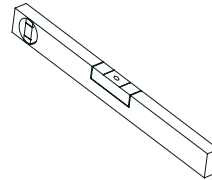
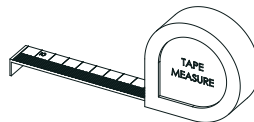
A12S0023  
x1



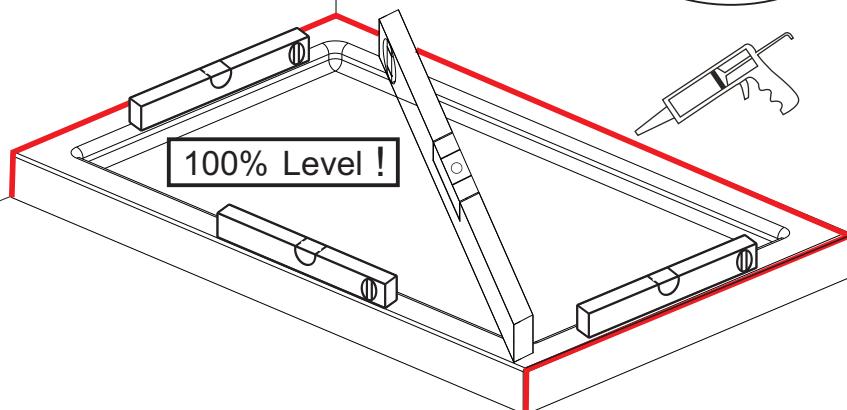
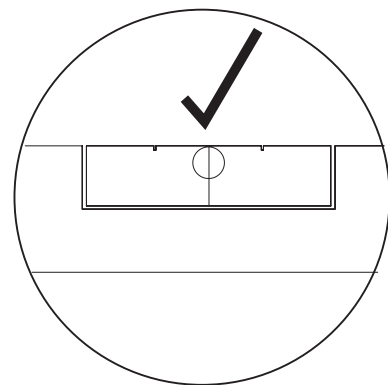
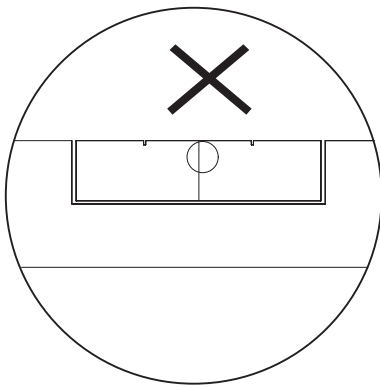
6mm



PH2



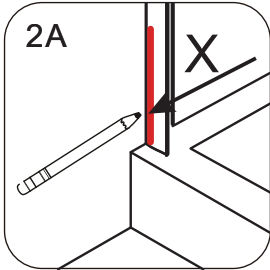
Please ensure your tray is 100% level in all directions before you fit your enclosure.



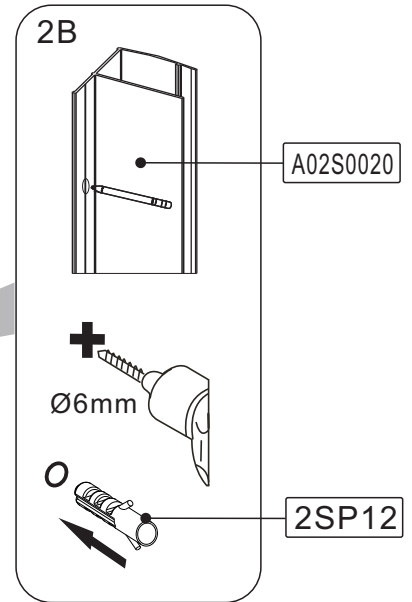
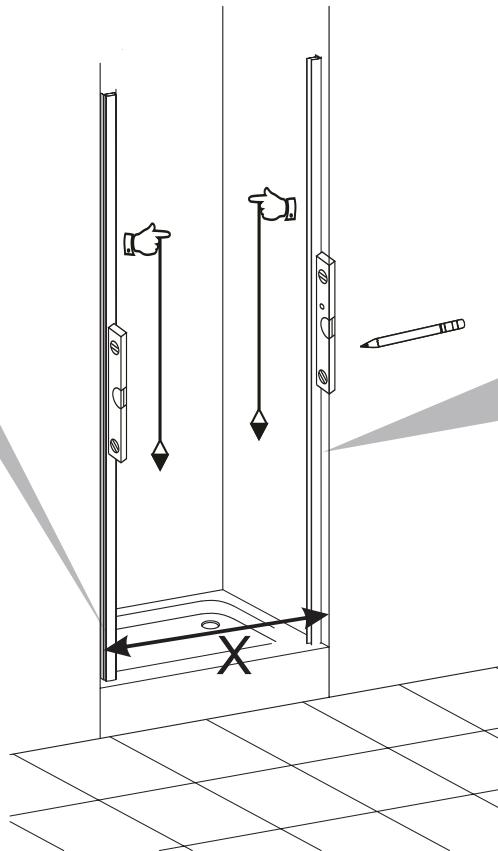
1

Determine your step in from the edge of the tray. Measure your x and y dimension. Your measurements must fall within the below table of adjustments marked as X.

Level your wall profiles and mark the points of fixing.

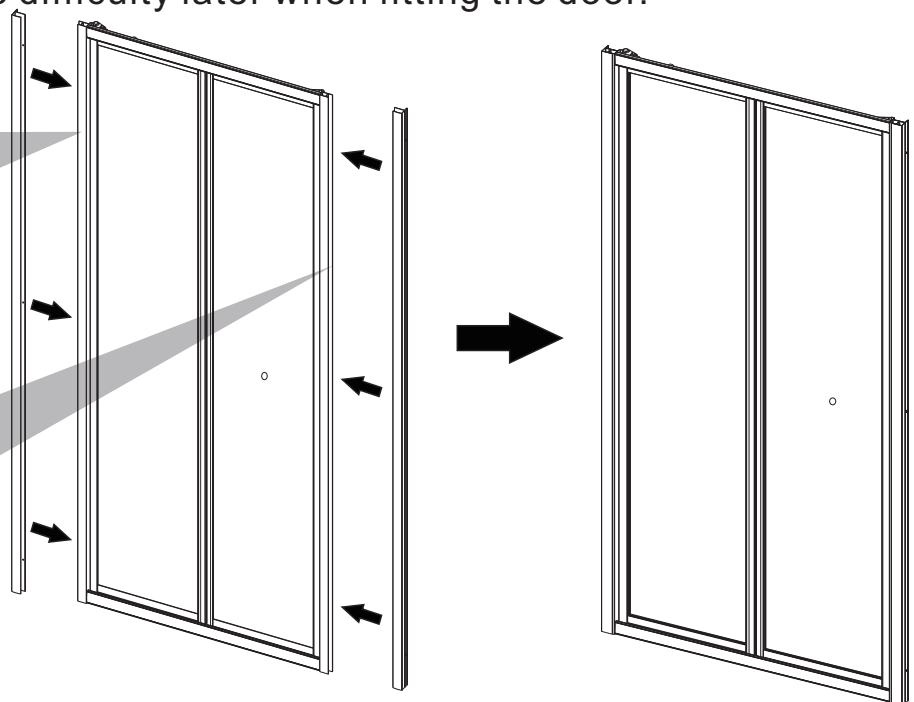
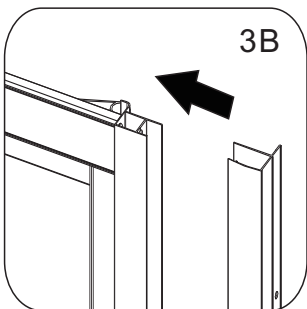
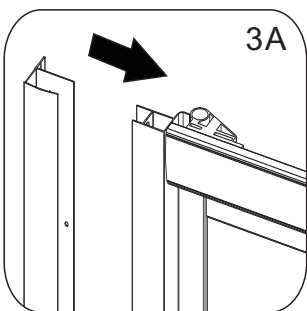


CODE	X
A1200A0	650-690
A1200B0	710-750
A1200C0	750-790
A1200D0	850-890



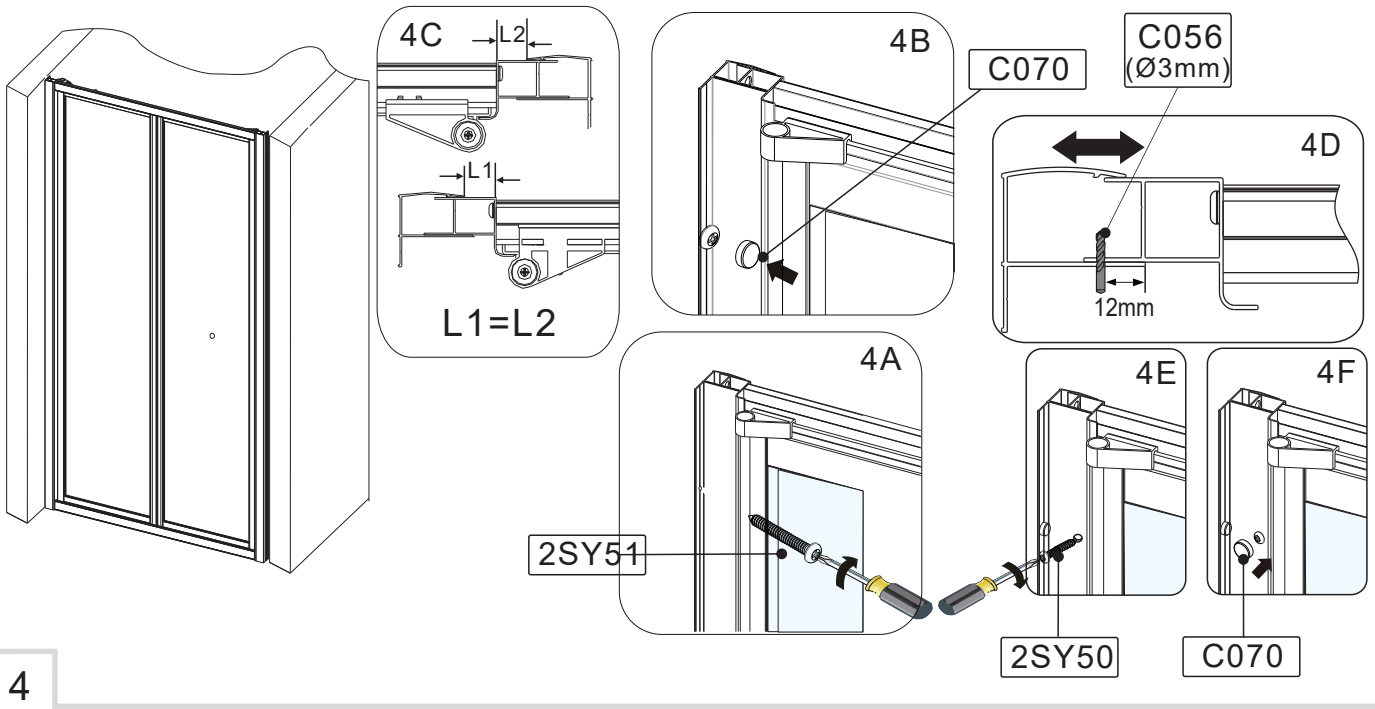
2

When fitting a fully framed product into a recess you must push the wall profiles onto the uprights. This is done as fixing the wall profiles first in a tight recess may lead to difficulty later when fitting the door.

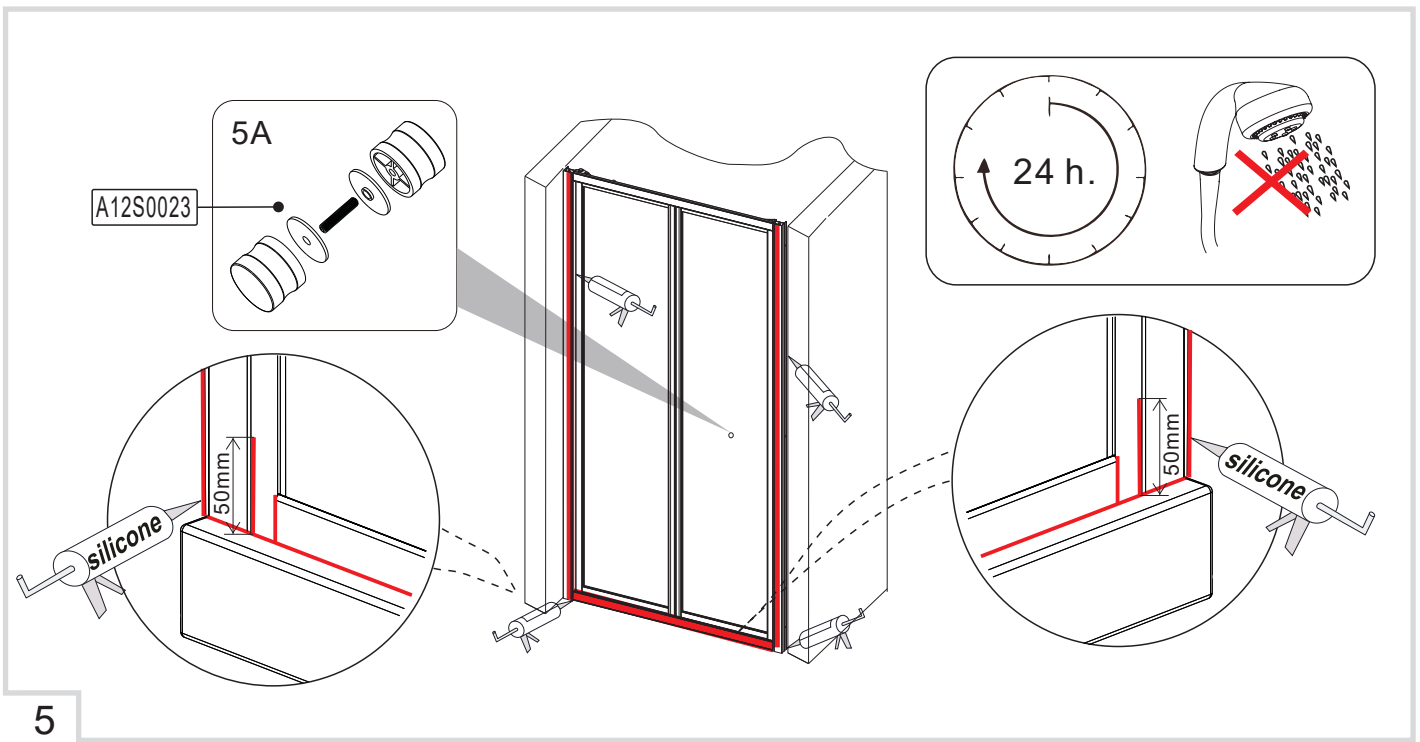


3

When the enclosure is between your two walls you can then fix your wall profiles to the walls using the fixing screws provided. Equalise the gaps on either side of the upright profiles and fix using 2SY50.



4



5

<b>CE</b>	
Pioneer Bathrooms Ltd	
15	
<b>EN 14428</b>	
Shower enclosures with aluminium profiles and safety glass	
Cleanability	: Pass
Impact resistance/shatter properties	: Pass
Durability	: Pass