

Beautifully  
Traditional

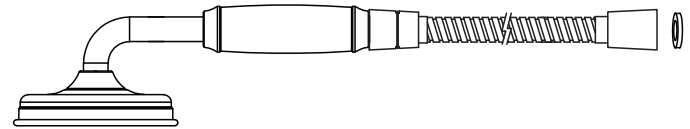
ARCADÉ™

#### TECHNICAL DETAILS

For full technical details on all our products,  
please visit our website [www.arcadebathrooms.com](http://www.arcadebathrooms.com)

Arcade telephone handset & hose

ARC31, ARC31 CHR



INSTALLATION INSTRUCTIONS

### INSTALLATION INSTRUCTIONS

Please read these instructions carefully and keep in a safe place for further reference.

#### General Installation Requirement

The installation must comply with regulations of the Local Water Authority as contained in their bylaws. It will be necessary to fit non-return valves on both the hot and cold feeds. It is very important that all pipework is flushed thoroughly after installation to avoid impurities damaging the ceramic discs.

#### Minimum/Maximum working pressure

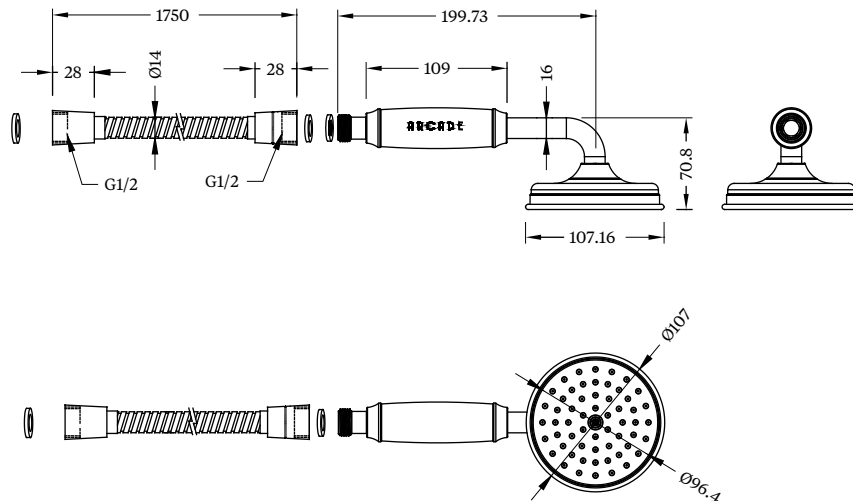
The handset is suitable for high and low pressure installations. The minimum work pressure is 0.2 bar. The maximum work pressure is 5 bar. If the mains pressure is over 5 bar, a pressure reducing valve should be fitted.

#### Warning

Before installing the new handset, it is essential that you thoroughly flush through the supply pipes in order to remove any remaining swarf, solder or other impurities. Failure to carry out this simple procedure could cause problems or damage to the working of the handset.

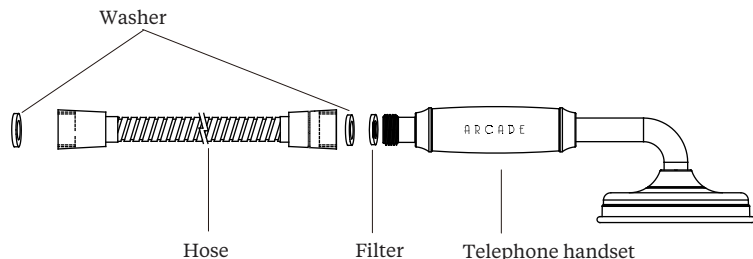
These hints are prepared for your guidance; you must exercise due care at all times. We do not accept responsibility for any problems that may occur through incorrect installation.

### DIMENSIONS



NOTE: ALL DIMENSIONS IN MILLIMETRES

## INSTALLATION INSTRUCTIONS



### INSTALLATION

Note: Remember to turn off mains water supply before connecting to any existing pipe work.

Insert the washer and the filter into the cone-shaped connector of the hose, then connect it with telephone handset.

Insert another washer into the other end of the hose, then connect it with the mixer outlet.

### ATTENTION

Having first checked all new connections, turn on the mains stop cock, close all taps except the new handset and as the system starts to refill, check for leaks. Once you have satisfied yourself that there are no leaks, switch on the water heating.

## MAINTENANCE

### CLEANING

The nickel/chrome plate we use on our handset is very durable, nevertheless care should be taken when cleaning. It should be cleaned only with warm soapy water followed by rinsing with clean water and drying with a soft cloth. All finishes are vulnerable to acid attack and some strong substances such as household cleaners, disinfectants, denture cleaners, hair dyes, wine making and photographic chemicals can cause the surface to go black or peel.

### THE QUALIFICATIONS

This product should only be fitted by a qualified plumber to the equivalent of UK NVQ (National Vocational Qualification) or SNVQ (Scottish National Vocational Qualification) Level 3. Should the installation be completed by a non-qualified person then the guarantee may be considered invalid.