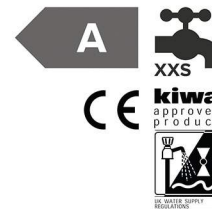


# ANDRIS LUX ECO

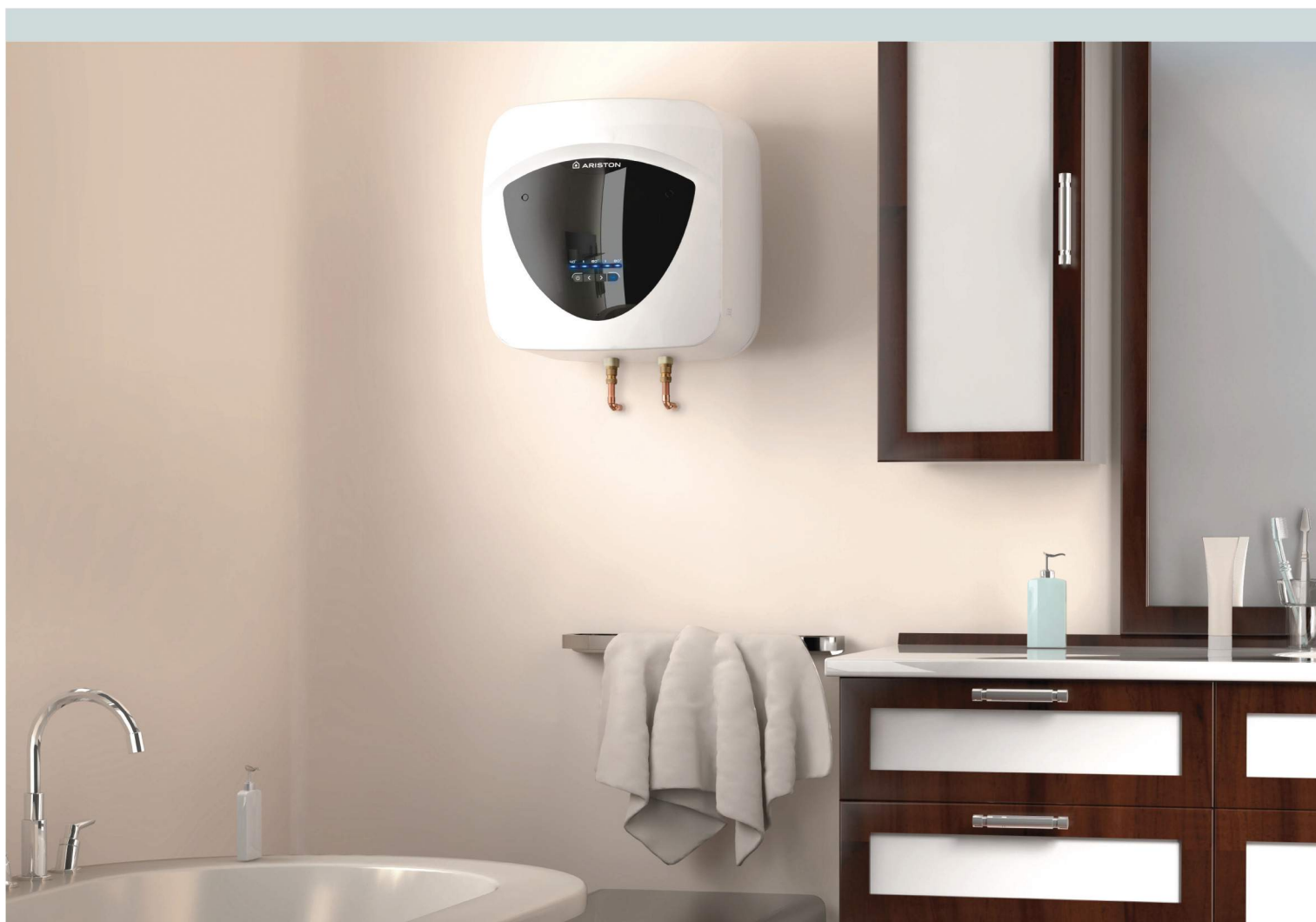


The Andris Lux Eco from Ariston is a small unvented electric water heater, encompassing leading Italian design, energy efficiency, durability, usability and safety. This premium model also boasts new features, including anti-legionella and anti-overheating functions.

#### ENERGY RATING



- / "A" Class ErP rating across all models
- / Anti-legionella function for total peace of mind
- / "Eco Evo" function – save up to 15% your energy usage
- / Installation in 10 easy steps
- / ABS safety package to save energy while preventing overheating/freezing
- / Modern, cutting-edge & premium design
- / Fast reheat times
- / Copper heating element (Nickel free)
- / Easy to use push button display





ITALIAN DESIGN



TITANIUM PLUS



A CLASS ENERGY SAVING



ECO EVO FUNCTION



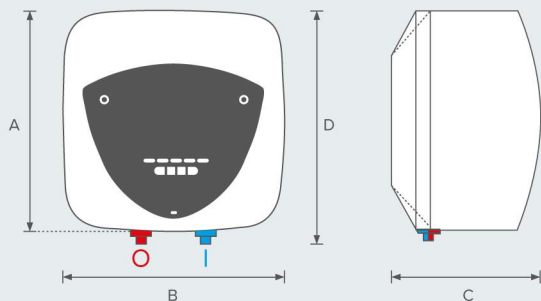
ABS SAFETY SYSTEM



ANTI-LEGIIONELLA



ANTI-FREEZING



TECHNICAL DATA

ANDRIS LUX ECO

Description	10L O 2.5kW	10L U 2.5kW	15L O 2.5kW	15L U 2.5kW	30L O 2.5kW*
Type	Unvented	Unvented	Unvented	Unvented	Unvented
Capacity (Litres)	10	10	15	15	30
Installation	Oversink	Undersink	Oversink	Undersink	Oversink
ErP Class	A	A	A	A	A
Element rating (kW)	2.50	2.50	2.50	2.50	2.50
Tapping profile	XXS	XXS	XXS	XXS	S
Heating time (min)	14	14	21	21	36
Unit weight (kg)	6.7	6.7	7.5	7.5	11.2
Heat loss 65°C (kWh)	0.46	0.71	0.61	0.85	0.75
Height (mm)	360	360	360	360	446
Width (mm)	360	360	360	360	446
Depth (mm)	294	294	342	342	406

Product codes	3100717	3100718	3100721	3100722	3820018*
---------------	---------	---------	---------	---------	----------

\*Including Kits A, B & C

	10L O 2.5kW	10L U 2.5kW	15L O 2.5kW	15L U 2.5kW	30L O 2.5kW*
A	360mm	360mm	360mm	360mm	446mm
B	360mm	360mm	360mm	360mm	446mm
C	294mm	294mm	342mm	342mm	406mm
D	385mm	385mm	385mm	385mm	475mm

**IN ORDER TO FIT AN ARISTON ANDRIS LUX ECO IT IS GOOD PRACTICE AND SOMETIMES MANDATORY TO INSTALL ONE OR SEVERAL OF THE FOLLOWING KITS:**



**KIT A**  
Expansion Vessel & Non-return Valve

An expansion vessel is a device that takes up the expansion of water in the domestic hot water system when it is heated. This prevents build up of excess pressure. The non-return valve prevents backflow of expanded hot water in to the cold water main.



**KIT B**  
3.5 Bar Pressure Reducing Valve

The maximum cold water inlet pressure designed for the Andris unit is 3.5 bar therefore this pressure reducing valve controls the water to not exceed this limit.



**KIT C**  
Discharge Tundish

In the event that the hot water system over pressurises, the highly pressurised water is discharged via the 6 bar pressure relief valve and the tundish serves to visually indicate that this discharge is occurring.