



ARISTON

SPARE PARTS EXPLODED VIEW STORAGE ELECTRIC WATER HEATERS

Model

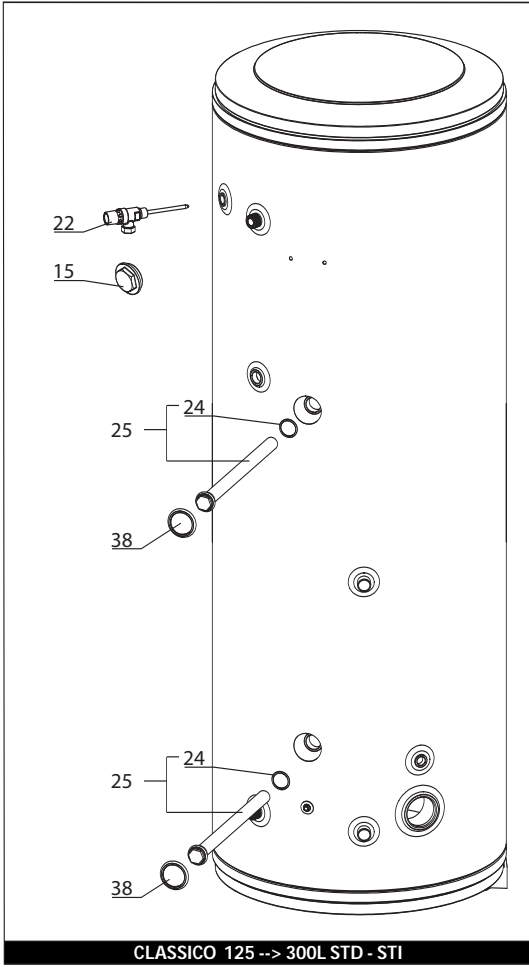
CLASSICO STD - STI - 07/2010 --> ...

R8203297-04EN - Edition 04 - 30/11/2010

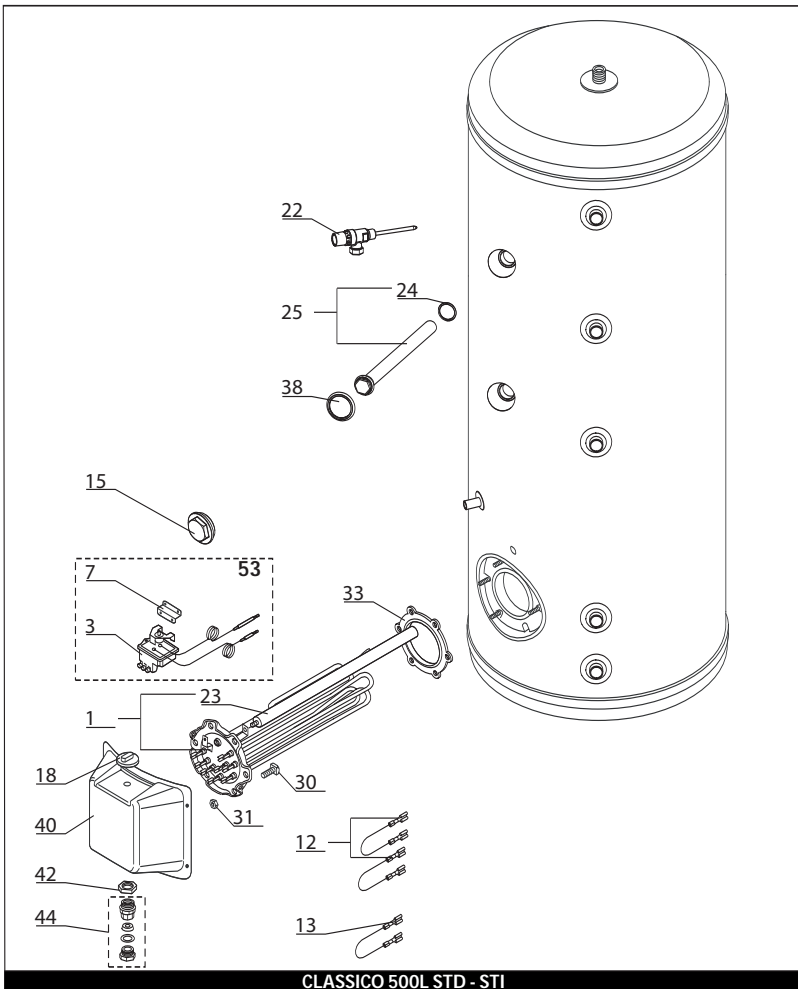
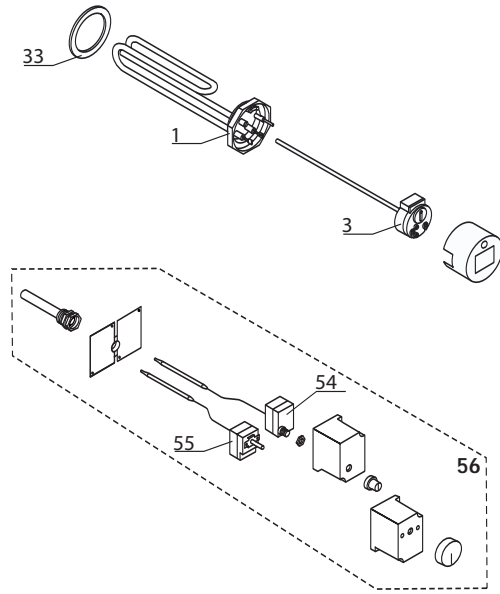
CLASSICO STD - STI - 07/2010 --> ...

Storage Electric Water Heaters

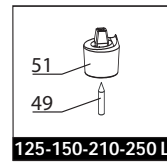
306 0267		CLASSICO - STD 125 HE	07/10	...
306 0271		CLASSICO - STI 125 HE	07/10	...
306 0268		CLASSICO - STD 150 HE	07/10	...
306 0272		CLASSICO - STI 150 HE	07/10	...
306 0269		CLASSICO - STD 210 HE	07/10	...
306 0273		CLASSICO - STI 210 HE	07/10	...
306 0270		CLASSICO - STD 300 HE	07/10	...
306 0274		CLASSICO - STI 300 HE	07/10	...
306 0275		CLASSICO - STD 500 HE	09/10	...
306 0276		CLASSICO - STI 500 HE	09/10	...
Reference	Ind.	Model type	Begin	End



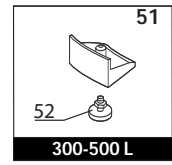
CLASSICO 125 --> 300L STD - STI



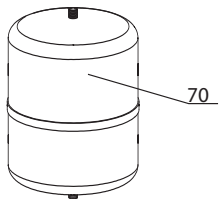
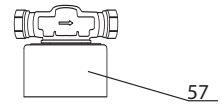
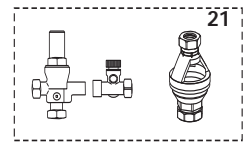
CLASSICO 500L STD - STI



125-150-210-250 L



300-500 L



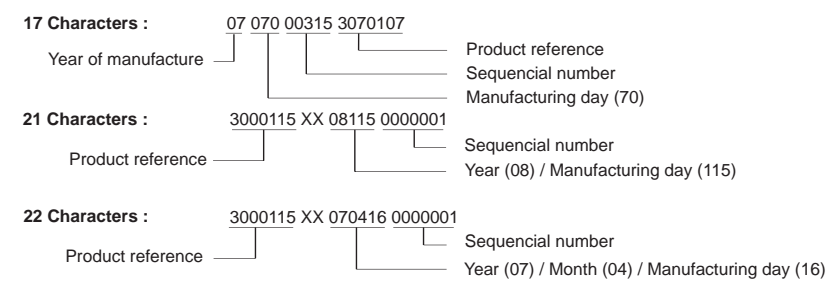
Key N	Description	Manf. Pt. N	Type						Manf. date		
				128 L	150 L	210 L	300 L	500 L	from	to	
0001	HEATING ELEMENT+TH INSULATOR+ANODE	65101884		•	•	•	•				
	IMMERSION HEATER 6000W	816518						•			
0003	THERMOSTAT TBS L:450	65110976		•	•	•	•				
	THERMOSTAT (COTHERM 30A)	992085						•			
0007	THERMOSTAT BRACKET	925197						•			
0012	CABLE 2 (PURPLE) 2,5X100 (fast.-fast.)	925074						•			
0013	CABLE (PURPLE) 2,5X170 (faston-faston)	65100535						•			
	CABLE (PURPLE) 2,5X100 (faston-faston)	925075						•			
0015	PLUG 3/4"	60001648		•	•	•	•	•			
0018	CONTROL KNOB	926068						•			
0021	SAFETY DEVICE PACK	60000225		•	•	•	•				
	SAFETY DEVICE PACK	60001650						•			
0022	TEMPERATURE+PRESSURE RELIEF VALVE	969046		•	•	•	•	•			
0023	ANODE D:21,3 L:380 M8	570285						•			
0024	ANODE GASKET	65101038		•	•	•	•				
0025	ANODE (D:26 L:370) + PLUG M1	919054		•	•	•	•				
	ANODE D:26 L:450	918048	STD					•			
	ANODE D:26 L:600	919049	STI					•			
0030	SCREW (M10X32)	918061						•			
0031	NUT (M10)	918041						•			
0033	FLANGE GASKET 6 STUD	924002						•			
	HEATING ELEMENT GASKET	924087		•	•	•	•				
0038	PLUG D:50	926106		•	•	•	•	•			
0040	PLASTIC COVER	926159						•			
0042	NUT PG 13,5 PVC	926026						•			
0044	PRESSE ETOUPE PG13 500ST	926035						•			
0049	PIN	61005323		•	•	•					
0051	FOOT	61005265		•	•	•					
	FOOT (COMPLETE)	926168						•	•		
0052	FOOT M10X40	918063						•	•		
0053	WIRED THERMOSTAT GROUP	925252						•			
0054	CUT-OUT THERMOSTAT INDIRECT	935185		•	•	•	•	•			
0055	REGULATION THERMOSTAT INDIRECT	935184		•	•	•	•	•			
0056	INDIRECT THERMOSTAT KIT + DUCT 70°	60001652		•	•	•	•	•			
0057	TWO-WAY VALVE	60000224		•	•	•	•				
	TWO-WAY VALVE	60001651						•			
0070	EXPANSION VESSEL 12L	60000223		•	•						
	EXPANSION VESSEL 18L	60000227			•	•					
	EXPANSION VESSEL 25L	60001649						•			

LIST OF THE ABBREVIATIONS

HW	: Hot water.
CW	: Cold water.
C	: Ceramic resistance (normal heating).
Ca	: Ceramic resistance (accelerated heating)
TP	: Immersion heater.
1F	: With fittings.
2F	: Without fittings.
3F	: With fittings and another outlet connection.
AMI	: With mixing valve.
SMI	: Without mixing valve.
PUISS	: Power of th appliance.
PN	: Appliance with normal pression.
LP	: Appliance with low pression.
PV	: Appliance with variable power.
PF	: Appliance with fixed power..

IDENTIFICATION PLATE

SERIAL NUMBER



The indications mentioned on the prices, commercial or technical literature and the scheme are written for your guidance and are available at a given time. The CONSTRUCTOR retains the power to modify the presentation, the form, the size, the conception or the material of the products.