



ARISTON

## SPARE PARTS EXPLODED VIEW STORAGE ELECTRIC WATER HEATERS

Model

### AQUABRAVO

R8203320-02 - 20/08/2012

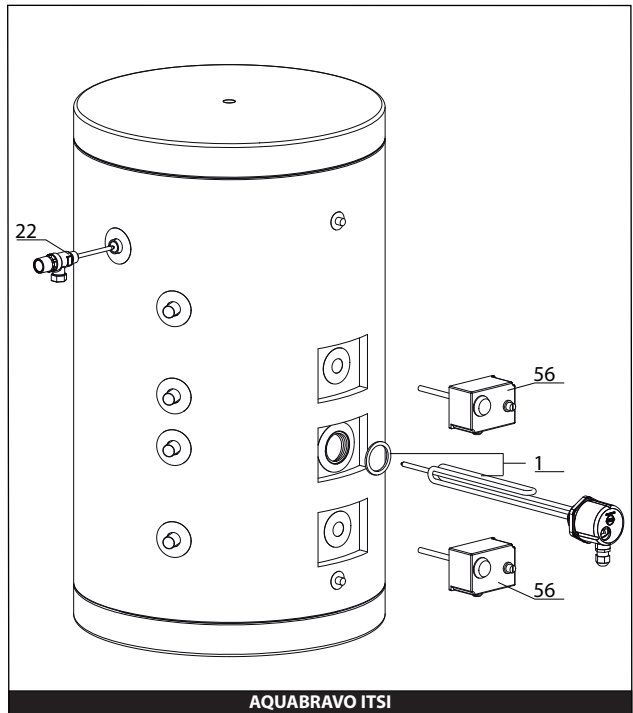
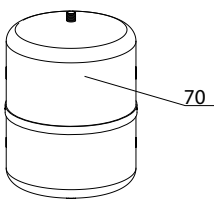
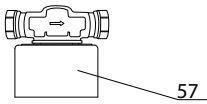
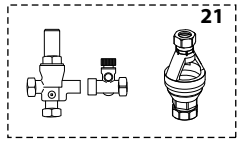
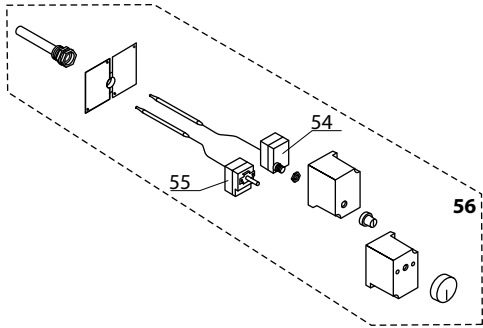
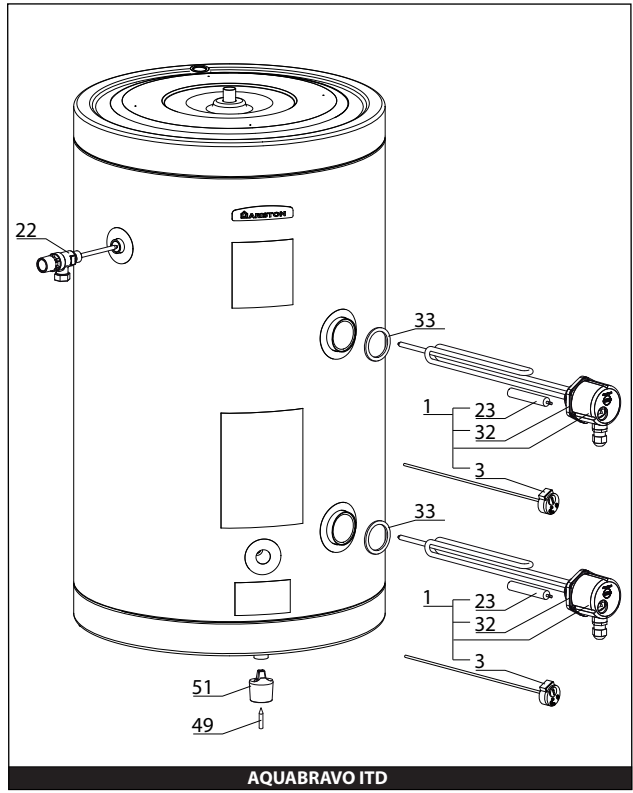
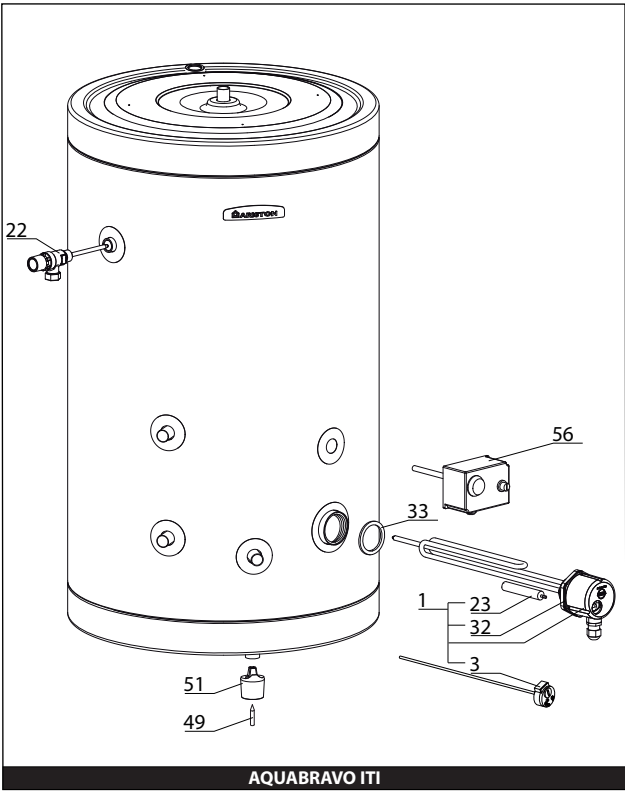
AQUABRAVO

Storage Electric Water Heaters

1	3060285	AQUABRAVO - ITI 80	05-2011	-
1	3826507	AQUABRAVO - ITI 80	06-2011	-
2	3060277	AQUABRAVO - ITD 130	05-2011	-
2	3060286	AQUABRAVO - ITI 130	05-2011	-
2	3826503	AQUABRAVO - ITD 130	06-2011	-
2	3826508	AQUABRAVO - ITI 130	06-2011	-
3	3060278	AQUABRAVO - ITD 150	05-2011	-
3	3060287	AQUABRAVO - ITI 150	05-2011	-
3	3826504	AQUABRAVO - ITD 150	06-2011	-
3	3826509	AQUABRAVO - ITI 150	06-2011	-
4	3060281	AQUABRAVO - ITD 215	05-2011	-
4	3060288	AQUABRAVO - ITI 215	05-2011	-
4	3826505	AQUABRAVO - ITD 210	06-2011	-
4	3826510	AQUABRAVO - ITI 210	06-2011	-
5	3060289	AQUABRAVO - ITI 255	06-2011	-
5	3826511	AQUABRAVO - ITI 250	06-2011	-
6	3060282	AQUABRAVO - ITD 305	05-2011	-
6	3060290	AQUABRAVO - ITI 305	05-2011	-
6	3826506	AQUABRAVO - ITD 300	06-2011	-
6	3826512	AQUABRAVO - ITI 300	06-2011	-
7	3826500	AQUABRAVO - ITSI 215	06-2011	-
8	3826501	AQUABRAVO - ITSI 255	06-2011	-
9	3826502	AQUABRAVO - ITSI 305	06-2011	-

Col	Reference	Model type	Begin	End
-----	-----------	------------	-------	-----



☉⇒	Description	Manf. Pt. N	Type	<div style="display: flex; justify-content: space-between; font-size: small;"> <span>80 L (T)</span><span>130 L (T) - (T)</span><span>180 L (T) - (T)</span><span>215 L (T) - (T)</span><span>285 L (T) - (T)</span><span>305 L (T) - (T)</span><span>215 L (T) - (T)</span><span>285 L (T) - (T)</span><span>305 L (T) - (T)</span> </div>																	
				1	2	3	4	5	6	7	8	9	10	11	12	13	14	15	16	17	18
0001	ELEMENT 3000W + ANODE L:450	60001790		•	•	•	•	•	•												
	IMMERSION HEATER 3000W	60001801								•	•	•									
0003	THERMOSTAT TBS L:450	65110976		•	•	•	•	•	•												
0021	SAFETY DEVICE PACK	60000225		•	•	•	•	•	•	•	•	•									
0022	TEMPERATURE+PRESSURE RELIEF VALVE	60001802								•	•	•									
	TEMPERATURE+PRESSURE RELIEF VALVE	969046		•	•	•	•	•	•												
0023	MAGNESIUM ANODE D:16 L:160 M6	65105593		•	•	•	•	•	•												
0032	GASKET	60001793		•	•	•	•	•	•												
0033	O-RING D: 47,63-3,53	60001968		•	•	•	•	•	•												
0049	PIN	61005323		•	•	•	•	•	•												
0051	FOOT	61005265		•	•	•	•	•	•												
0054	CUT-OUT THERMOSTAT INDIRECT	935185		•	•	•	•	•	•												
0055	REGULATION THERMOSTAT INDIRECT	935184		•	•	•	•	•	•												
0056	BULB THERMOSTAT 70°	60001791		•	•	•	•	•	•												
	BULB THERMOSTAT	60001803								•	•	•									
0057	TWO-WAY VALVE	60000224		•	•	•	•	•	•	•	•	•									
0070	EXPANSION VESSEL 12L	60000223		•	•	•															
	EXPANSION VESSEL 18L	60000227					•	•	•	•	•	•									

## LIST OF THE ABBREVIATIONS

HW .....	: Hot water.
CW .....	: Cold water.
C .....	: Ceramic resistance (normal heating).
Ca .....	: Ceramic resistance (accelerated heating)
TP .....	: Immersion heater.
1F .....	: With fittings.
2F .....	: Without fittings.
3F .....	: With fittings and another outlet connection.
AMI .....	: With mixing valve.
SMI .....	: Without mixing valve.
PUISS .....	: Power of th appliance.
PN .....	: Appliance with normal pression.
LP .....	: Appliance with low pression.
PV .....	: Appliance with variable power.
PF .....	: Appliance with fixed power.

## IDENTIFICATION PLATE

### SERIAL NUMBER

**9 Characters :** 07 91 00301 (from 01/77 to 12/92)

Month of manufacture \_\_\_\_\_ Sequential number  
Year of manufacture \_\_\_\_\_

**10 Characters :** 95 01 065004 (from 01/93 to 06/95)

Year of manufacture \_\_\_\_\_ Sequential number  
Month of manufacture \_\_\_\_\_

**OU**

**10 Characters :** 01 95 065004 (from 07/95)

Month of manufacture \_\_\_\_\_ Sequential number  
Year of manufacture \_\_\_\_\_

**12 Characters :** 924 2 3 134 0115

Product reference \_\_\_\_\_ Sequential number  
Year of manufacture \_\_\_\_\_ Manufacturing day

**15 ou 16 Characters :** (0)03 070 0001 893077 (from 01/97 to 01/05)

Year of manufacture \_\_\_\_\_ Product reference  
Day of manufacture \_\_\_\_\_ Sequential number

**OU**

**16 Characters :** 05 070 0001 0000000 (from 02/05)

Year of manufacture \_\_\_\_\_ Product reference  
Day of manufacture \_\_\_\_\_ Sequential number

**17 Characters :** 07 070 00315 3070107

Year of manufacture \_\_\_\_\_ Product reference  
Sequential number  
Manufacturing day (70)

**21 Characters :** 3000115 XX 08115 0000001

Product reference \_\_\_\_\_ Sequential number  
Year (08) / Manufacturing day (115)

**22 Characters :** 3000115 XX 070416 0000001

Product reference \_\_\_\_\_ Sequential number  
Year (07) / Month (04) / Manufacturing day (16)