

Technical Datasheet

Product Code: 237KENTBATH

Product Description: Arley Kent 1220 x 715mm Integral Sit Bath



Specification

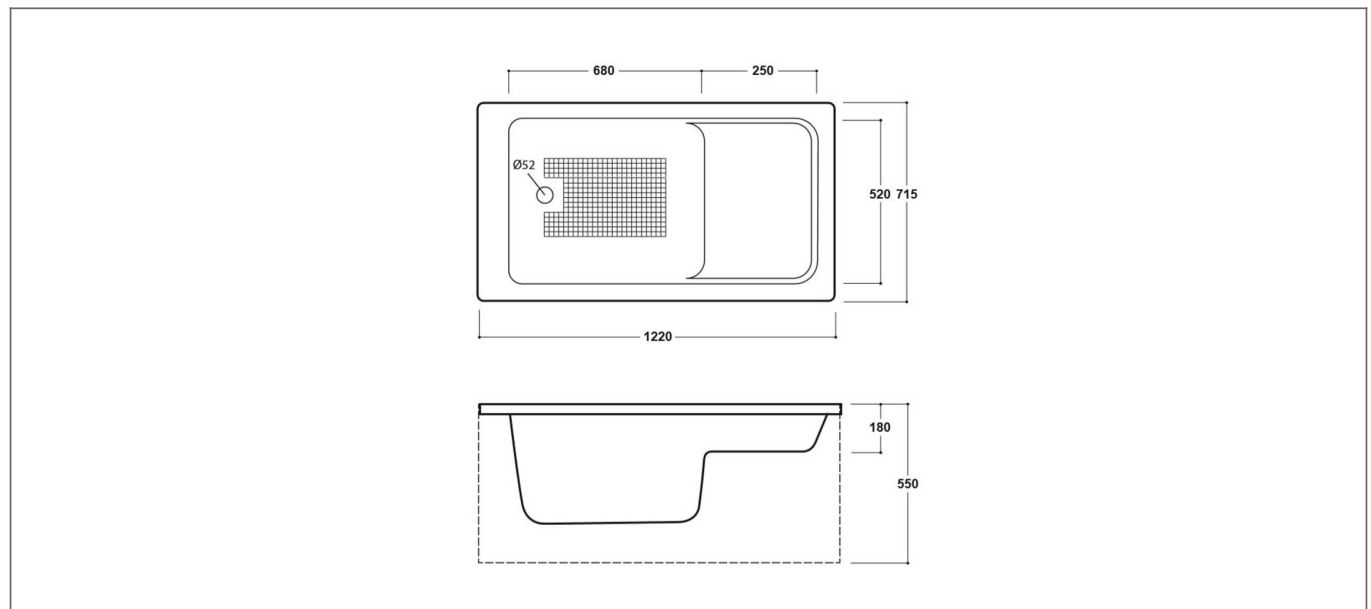
Material:	Acrylic
Style:	Modern
Shape:	Rectangular
Number Of Tap Holes:	0
Overflow Included:	No
Waste Included:	No
Bath Thickness:	5 mm
Product Guarantee:	10 Years
Water Capacity (litres):	110



Key Features

- Sleek lines add an element of style to your bathroom
- Manufactured from high quality white acrylic
- Features integrated seat with showering area
- Complete with anti slip base for added safety feature
- Panels & wastes are available to purchase from Synergy
- Leg set included for a quick & easy installation

Technical Drawing



Dimensions: All measurements are in millimetres and are subject to normal manufacturing variations.

Due to a continuing development programme to improve design and performance, we reserve all rights to vary specifications without prior notice. Please note, all accessories are for photographic purposes only.