

Technical Datasheet

Product Code: 23701SCH30BTW

Product Description: ARLEY School Pan Infant 30cm BTW



Specification

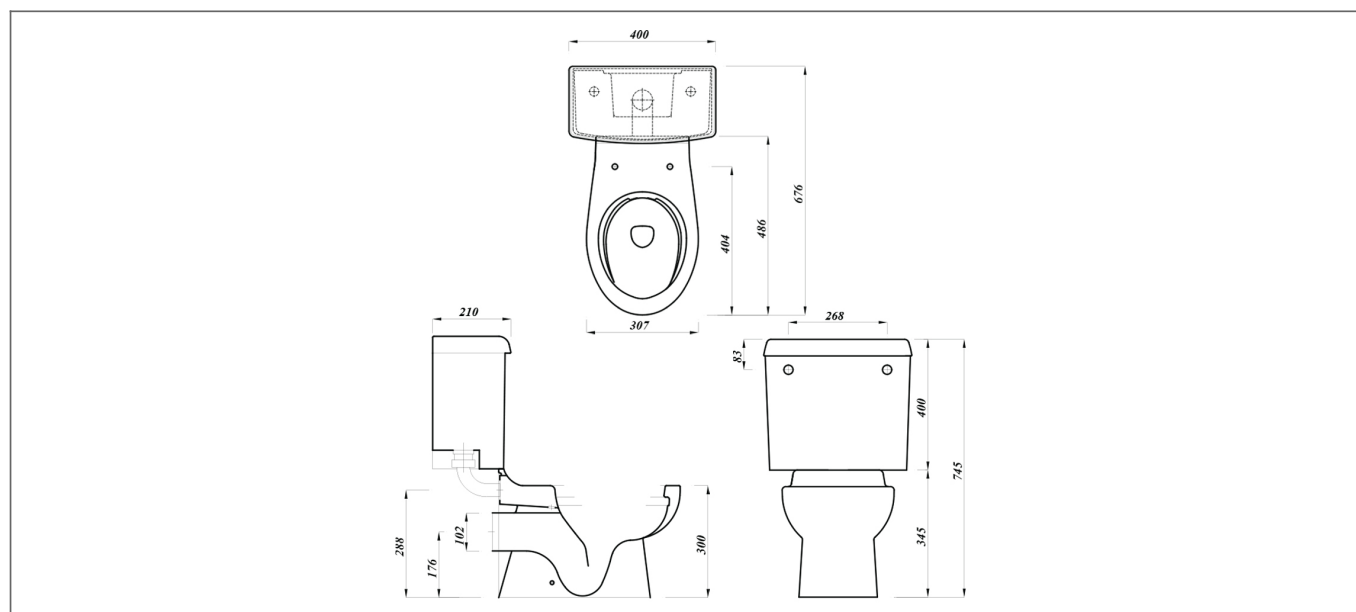
Product Guarantee:	Lifetime
Packaged Weight (kg):	17.3 kg
Packaged Length (Metre):	0.405
Packaged Width (Metre):	0.37
Packaged Height (Metre):	0.478
Material:	Vitreous China
Approvals:	CE Approved
Includes Seat:	No
Approvals:	CE Approved



Key Features

- Modern curvaceous design with smooth & stylish lines
- Manufactured from quality white vitreous china
- Suitable for use with back to wall WC furniture units
- Ideally designed for pre school & infant schools
- Low level option is also available from this range
- Optional seat is available from this range

Technical Drawing



Dimensions: All measurements are in millimetres and are subject to normal manufacturing variations.

Due to a continuing development programme to improve design and performance, we reserve all rights to vary specifications without prior notice. Please note, all accessories are for photographic purposes only.