

Technical Datasheet

Product Code: 237UT09

Product Description: ARLEY UT09 Infrared Sensor Basin Tap



Specification

Product Guarantee:	5 Years
Barcode:	5056474500336
Material:	Brass
Style:	Modern
Handle Type:	No Handle
Tap Pressure:	Medium - High Pressure
Min Operating Pressure:	1 Bar
Waste Included:	No
Number Of Tap Holes:	1
Approvals:	WRAS Approved
Projection (mm):	85
Flow Rate 0.5 Bar (L/min):	1.6
Flow Rate 1 Bar (L/min):	2.5
Flow Rate 2 Bar (L/min):	3.6
Flow Rate 3 Bar (L/min):	4.4
Flow Rate 4 Bar (L/min):	5
Flow Rate 5 Bar (L/min):	5.6
Colour:	Chrome
Tap Pressure:	Medium - High Pressure
Approval Number:	85
Mount Type:	Deck Mounted



Key Features

- Includes infrared sensor for hygienic no touch operation
- Manufactured from quality brass
- High quality, long lasting chrome finish to compliment any style of bathroom
- With it's luxury design, it can be used at home, offices or hotels
- Freestanding or wall mounting options available

Dimensions: All measurements are in millimetres and are subject to normal manufacturing variations.

Due to a continuing development programme to improve design and performance, we reserve all rights to vary specifications without prior notice. Please note, all accessories are for photographic purposes only.

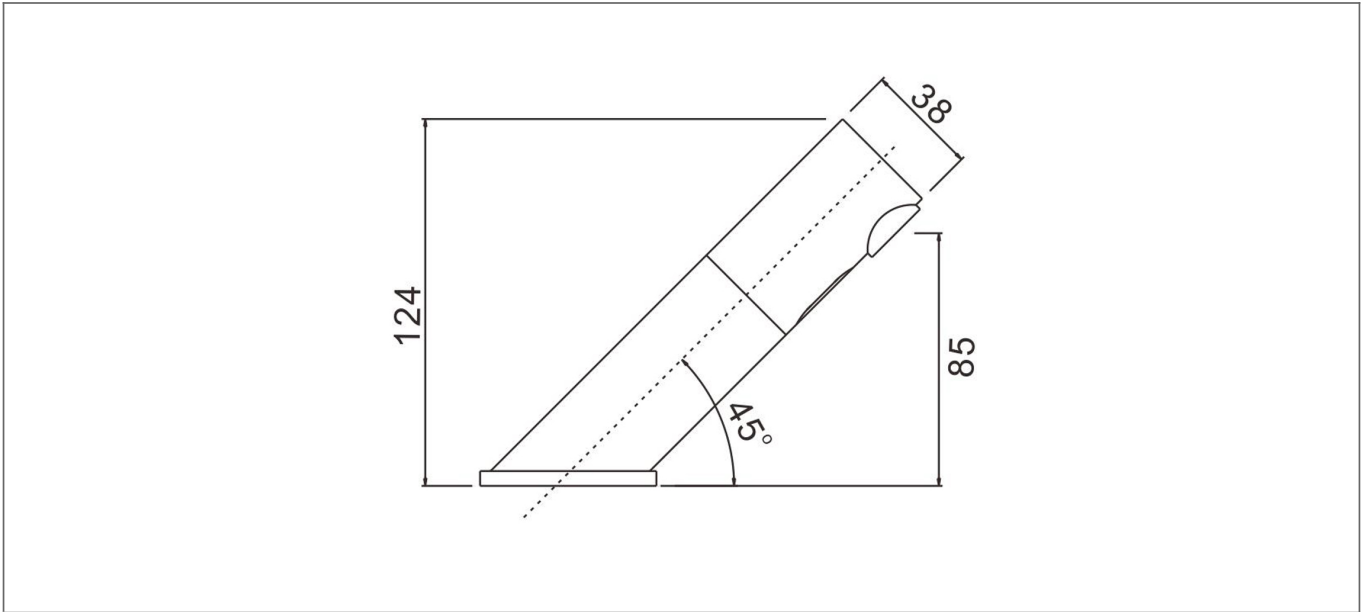
Technical Datasheet

Product Code: 237UT09

Product Description: ARLEY UT09 Infrared Sensor Basin Tap



Technical Drawing



Dimensions: All measurements are in millimetres and are subject to normal manufacturing variations.

Due to a continuing development programme to improve design and performance, we reserve all rights to vary specifications without prior notice. Please note, all accessories are for photographic purposes only.