

# Technical Datasheet

Product Code: 237091-D

Product Description: ARLEY Wall Hung Pan & Seat In A Box



## Specification

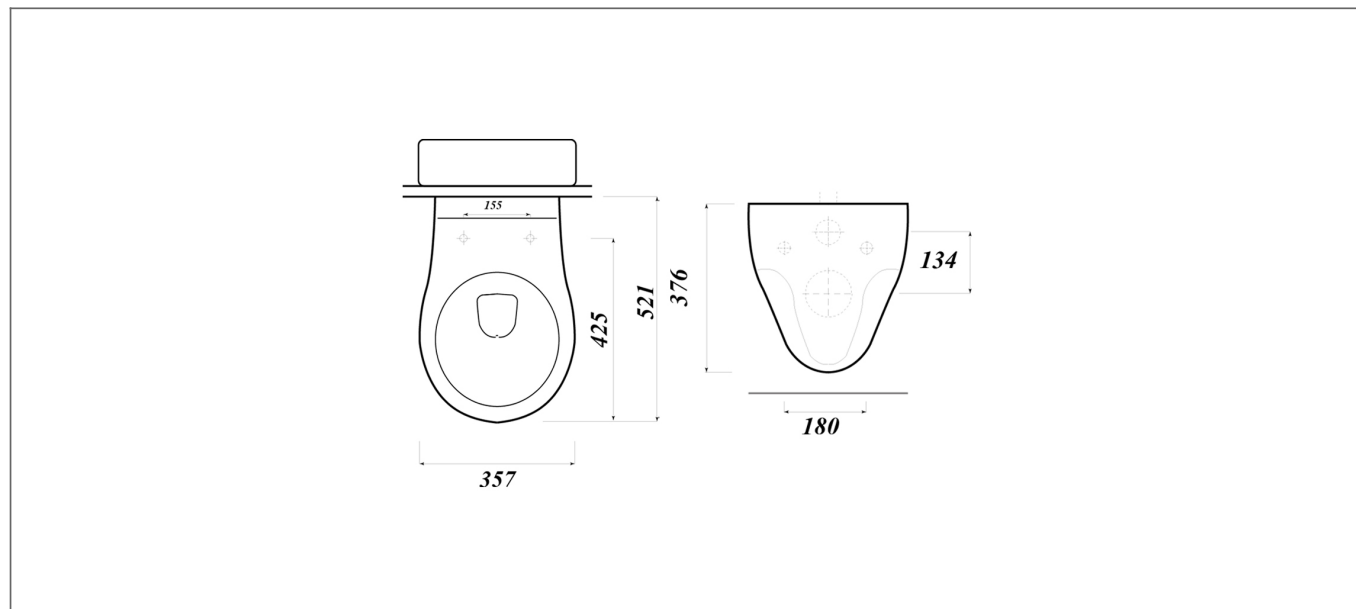
Product Guarantee:	Lifetime
Barcode:	237091-D
Packaged Weight (kg):	17.4 kg
Material:	Vitreous China
Projection:	521
Style:	Modern
Made In the UK:	No
Approvals:	CE Approved
Includes Seat:	Yes
Seat Type:	Standard



## Key Features

- Modern curvaceous design with smooth & stylish lines
- Manufactured from high quality materials
- Wall hung pan design creates the illusion of more floor space
- Suitable for use with concealed cisterns & wall hung frames
- Matching sanitaryware are also available in the Arley range
- Complete with standard seat

## Technical Drawing



Dimensions: All measurements are in millimetres and are subject to normal manufacturing variations.

Due to a continuing development programme to improve design and performance, we reserve all rights to vary specifications without prior notice. Please note, all accessories are for photographic purposes only.