

Technical Datasheet

Product Code: 23702.2-D



Product Description: Arley Original Bog In A Box 560mm 2 Tap Hole Basin & Pedestal

Specification

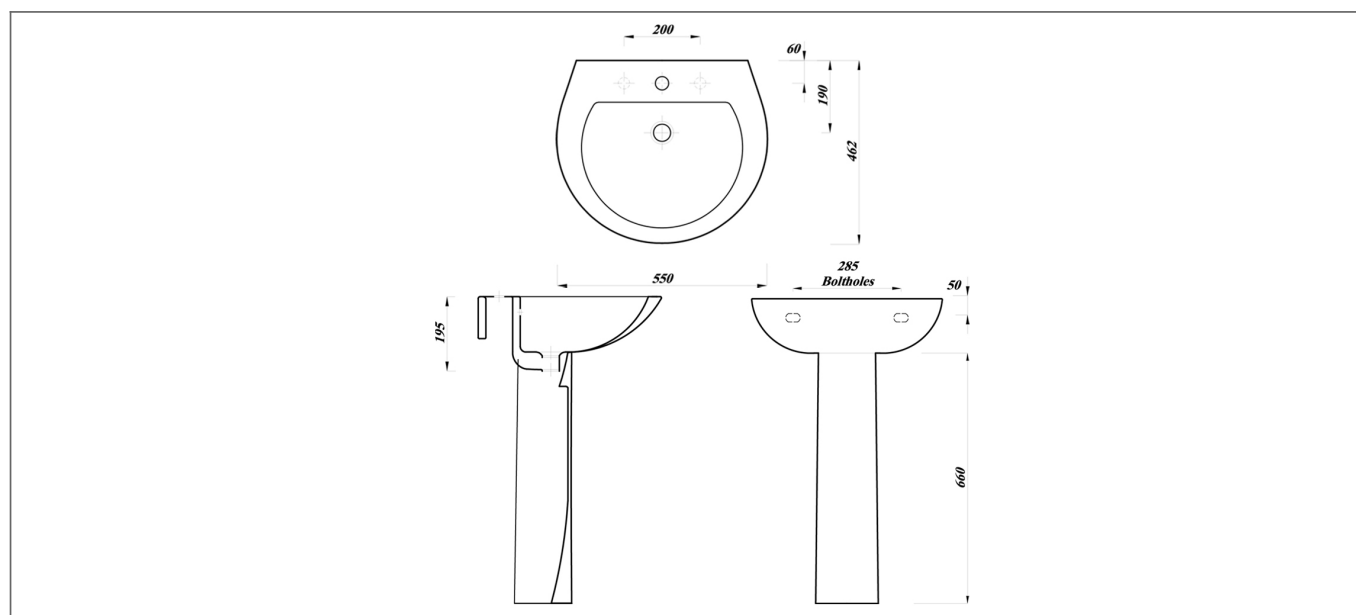
Product Guarantee:	Lifetime
Barcode:	23702.2-D
Projection (mm):	480
Material:	Ceramic
Style:	Modern
Shape:	Round
Number Of Tap Holes:	2



Key Features

- Modern curvaceous design with smooth & stylish lines
- Manufactured from high quality white ceramic
- Features 2 tap holes suitable for basin pillar taps
- Overflow hole included to prevent any bathroom accidents
- Alternatively available with 1 tap hole option
- Comes complete with pedestal for a quick installation
- Matching sanitaryware is also available in the Arley range

Technical Drawing



Dimensions: All measurements are in millimetres and are subject to normal manufacturing variations.

Due to a continuing development programme to improve design and performance, we reserve all rights to vary specifications without prior notice. Please note, all accessories are for photographic purposes only.