

Technical Datasheet

Product Code: 23709.00-D

Product Description: Arley 1 Tap Hole 500mm Semi Recessed Basin

ARLEY

Specification

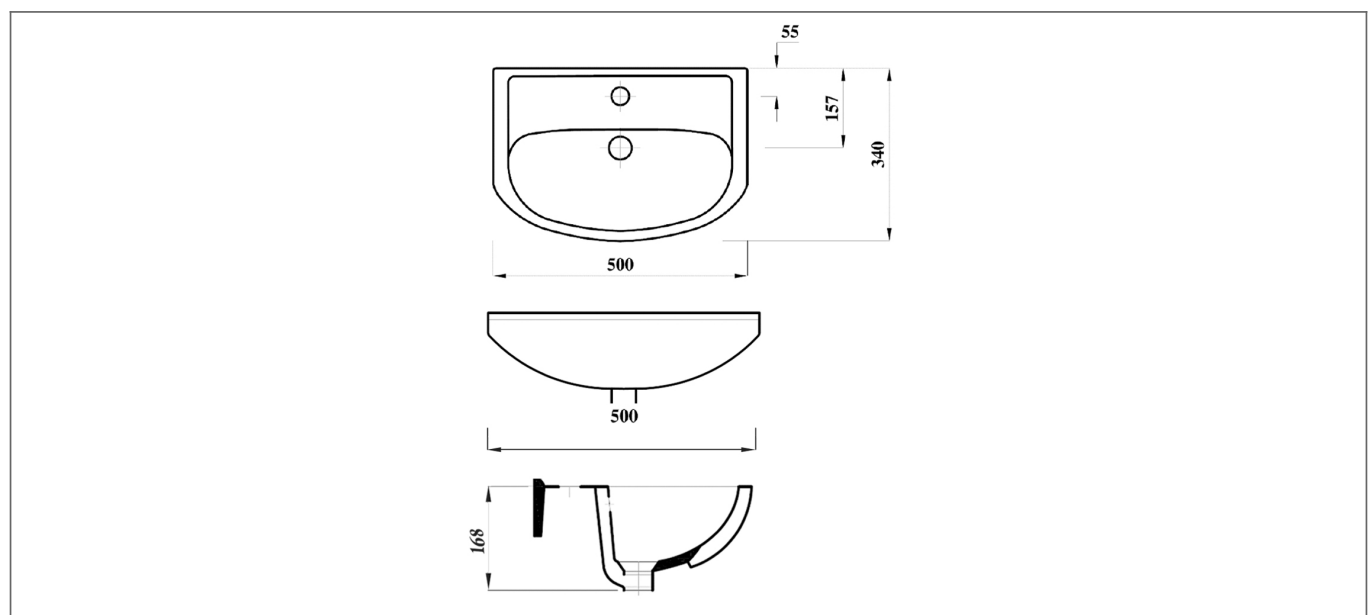
Product Guarantee:	Lifetime
Barcode:	23709.00-D
Projection (mm):	420
Material:	Vitreous China
Style:	Modern
Shape:	Round
Number Of Tap Holes:	1



Key Features

- Modern curvaceous design with smooth & stylish lines
- Manufactured from high quality white ceramic
- Space saving design ideal for semi countertop mounting
- Features 1 tap hole suitable for mono basin mixer use
- Overflow included to prevent any bathroom accidents
- Matching sanitaryware are also available in the Arley range
- Alternatively available with 2 tap hole option

Technical Drawing



Dimensions: All measurements are in millimetres and are subject to normal manufacturing variations.

Due to a continuing development programme to improve design and performance, we reserve all rights to vary specifications without prior notice. Please note, all accessories are for photographic purposes only.