

Sandringham 21 Bath Pillar Taps, Crosshead Handles

ILLUSTRATED

B9876 Sandringham 21 bath pillar taps, crosshead handles

ILLUSTRATED PRODUCT DETAILS

Weights

B9876 1.15 KG

Finishes

B9876  Chrome (AA)

Materials

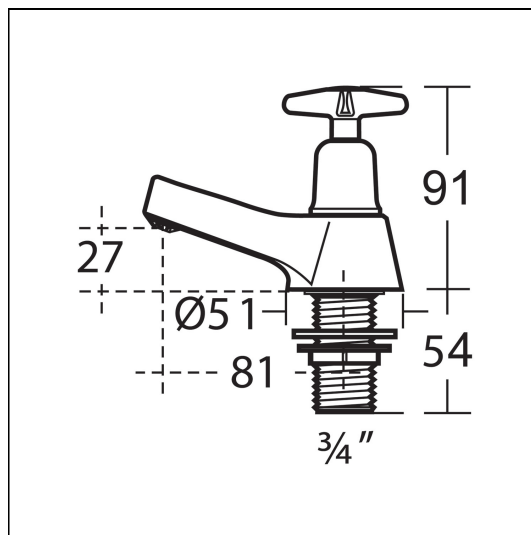
B9876 Chrome Plated Brass

Flow rates

B9876 14.5 Litres per minute @ 3 bar pressure

Special Notes

Suitable for balanced/unbalanced supplies high or low pressure. Inlets 3/4in BSP male coned for copper. Pillar taps come supplied with brass back nuts. Consideration should be given to safe hot water delivery and the use of an appropriate temperature reduction device see S7436AA. Unregulated flow rate 15 litres per minute at 0.1 bar.



ACCREDITATIONS



1210030