

# Sandringham 21 Washbasin Mixer 1 TH Weighted Chain & Plug

## ILLUSTRATED

**B9869** Sandringham 21 washbasin mixer 1 taphole with weighted chain & plug waste

### ILLUSTRATED PRODUCT DETAILS

**Weights**

**B9869** 1.49 KG

**Finishes**

**B9869**  Chrome (AA)

**Materials**

**B9869** Chrome Plated Brass

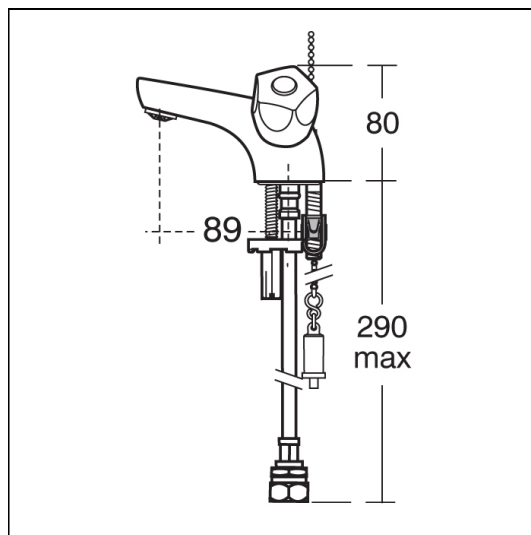
**Flow rates**

**B9869** 4.8 Litres per minute @ 3 bar pressure

**Special Notes**

Suitable for balanced supplies high or low pressure. Inlets with flexible hoses and connections for 15mm copper tails. Consideration should be given to safe hot water delivery and the use of an appropriate temperature reduction device see S7435AA. Water saving can be achieved by use of a flow regulators such as L6935NU to deliver maximum of 4 Litres per minute.

For use with wastes that accept a chain to their plug E.G. S8800AA



### ACCREDITATIONS



1210028