

1 GENERAL

It is good practice to fit our Isovalve volume regulators to control the incoming supply and as an aid to servicing. They are also useful as a control to reduce the possibility of splashing.

For self closing valves to work efficiently, it is important that before installation, the supply pipes are thoroughly flushed to clear plumbing debris, which could damage the valve mechanism.

An in-line filter in the supply pipe is recommended.

2 SERVICING

Should it become necessary to remove the valve for service/replacement, please proceed as follows: With the water supply turned off, remove the push knob as described above. Unscrew the shield (5) and unscrew the valve (6) using a 23mm A/F socket.

Follow this procedure in reverse to reinstall the valve and reset the runtime as described above.

3 CARE INFORMATION

Chromium plated surfaces should only be cleaned with warm soapy water and wiped dry. Abrasives, solvents and acidic cleaners should not be used.

4 INSTALLATION AND REGULATION

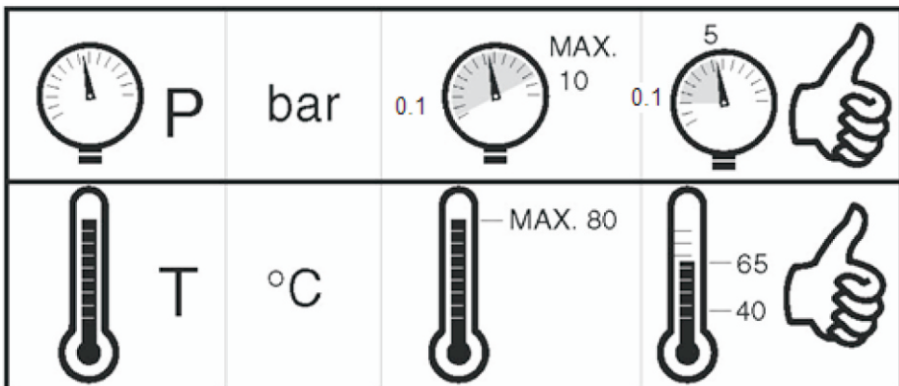
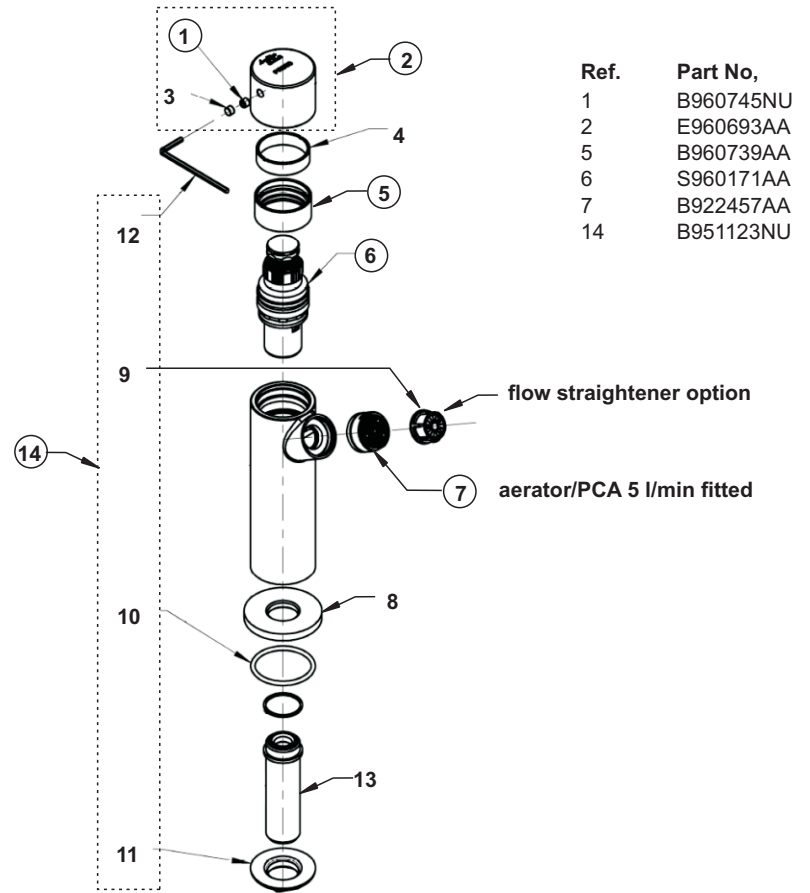
Remove the backnut (11) from the threaded inlet tail (13) and fit the valve into panel/wall ensuring that the rubber 'o' ring (10) is positioned between panel/wall and the underside of the valve body flange (8). Refit the backnut and tighten.

Connect the pipework.

With the supply turned on, depress the push knob (4) to check the run time.

To adjust the run time, remove the rubber bung (3), unscrew the grub screw (1) using the Allen key (12) provided. Remove the push knob. By turning the runtime adjustment ring (4) anticlockwise with a small screwdriver, the runtime is reduced. To check the runtime, loosely place the push knob on to the valve (6), press and release. Continue adjustment until desired runtime is achieved. Replace push knob, retighten the grub screw and replace the rubber bung.

5 SPARE PARTS

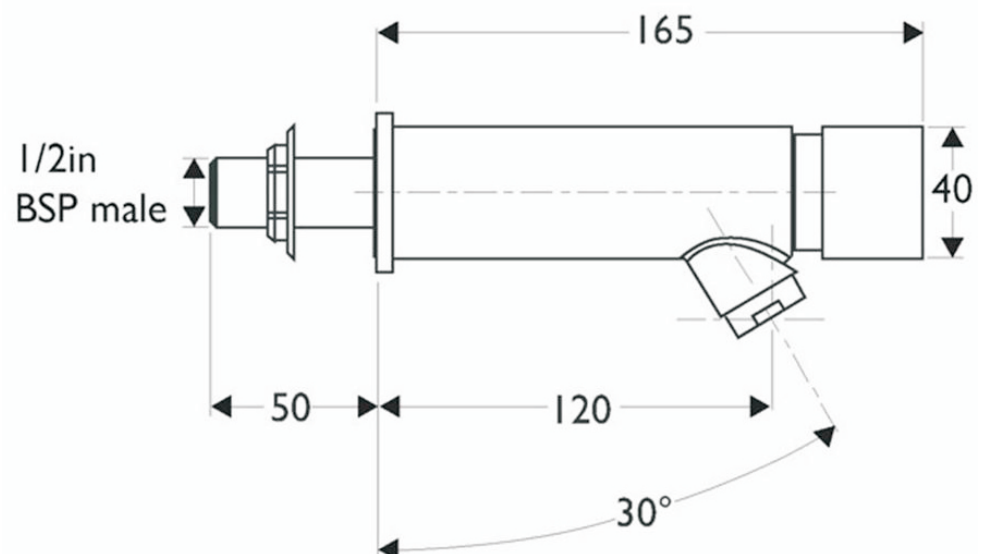


Q (0.1 bar)		L/min	4.5	
Q (3 bar)		L/min	5.0	

Q = flow rate

AVON

S7241AA BIB TAP SELF CLOSING NON-CONCUSSIVE



CUSTOMER CARE HELP LINE

0870 129 6085

CUSTOMER CARE FAX

01482 499611

E-MAIL

UKcustcare@idealstandard.com

Armitage Shanks pursues a policy of continuing improvement in design and performance of its products.

The right is therefore reserved to vary specification without notice.

Armitage Shanks is a division of Ideal Standard (UK) Ltd

Armitage Shanks
The Bathroom Works, National Avenue
Kingston-upon-Hull, HU5 4HS, England

4432 01/10

E96546400

*Armitage
Shanks*

INSTALLER: After installation please pass this instruction booklet to user