

# Contour 21 Accessible Washbasin 60cm 1 Central Overflow No Chainstay Hole

## ILLUSTRATED

- S2168** Contour 21 accessible washbasin, 60 x 55cm, 1 taphole with overflow
- E0157** Wall fixing set
- A6696** Markwik 21+ 1 hole thermostatic basin mixer, single sequential lever, demountable with copper tails
- S8733** Waste 1½" brass anti theft swivel plug waste, 80mm slotted tail
- E0079** Trap 1½" Contemporary metal bottle, 75mm seal

## OPTIONS

- A6697** Contour 21+ 1 hole thermostatic basin mixer, single sequential lever with copper tails
- A6698** Contour 21+ 1 hole thermostatic basin mixer, single sequential lever with flexible tails
- A6790** Contour 21+ Outline 1 hole thermostatic basin mixer, single sequential lever with flexible tails

## ILLUSTRATED PRODUCT DETAILS

### Sizes

**S2168** w:60 x d:55






### Weights

- S2168** 17.59 KG
- E0157** 0.16 KG
- A6696** 2.50 KG
- S8733** 0.35 KG
- E0079** 1.45 KG

### Materials

- S2168** Vitreous China
- E0157** Metal
- A6696** Chrome Plated Brass
- S8733** Chrome Plated Metal
- E0079** Chrome Plated Metal

### Finishes

- S2168**  White (01)
- E0157**  Neutral / No Finish (67)
- A6696**  Chrome (AA)
- S8733**  Chrome (AA)
- E0079**  Chrome (AA)

### Flow rates

**A6696** 7.9 Litres per minute @ 3 bar pressure

### Designer

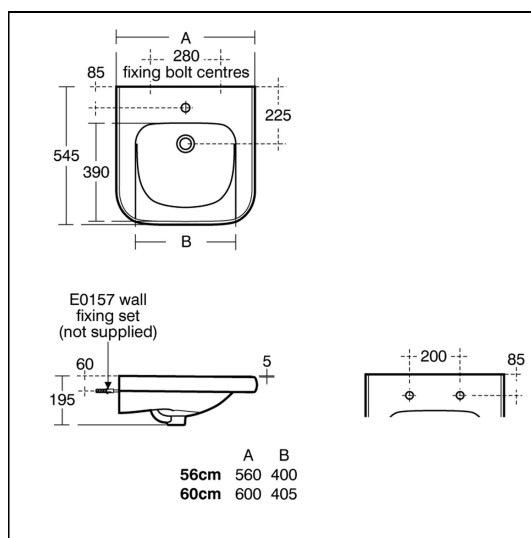
Robin Levien, RDI

### Standards

Washbasin to BS EN 14688 & BS EN 31. Conforms to Doc M and HTM 04

### Special Notes

Suitable for use with handrinse basins in public areas and Doc M. Satisfies DDA requirements. Meets the requirements laid out in HTM 64, HTM 04. Single easy use lever operates on/off and temperature control. Eliminates the need for premixed water. washbasin wall mounted using E0157



## FEATURES

