

Contour 21 Splash 40cm Schools basin with overflow - two tapholes - no chain hole

ILLUSTRATED

- S2636** Contour 21 Splash 40cm Schools basin with overflow - two tapholes
- E0157** Wall fixing set
- S8722** Waste 1¼" brass strainer waste, 80mm slotted tail
- S8920** Trap 1¼" plastic resealing bottle, 75mm seal, multi-purpose outlet

OPTIONS

- B8267** Avon 21 washbasin inclined pillar taps (pair) with dual Hot and Cold indices per tap, self closing push button non concussive, water saving anti-vandal nozzle regulated to 3.7 litres per minute maximum. Alternative low pressure outlet option.
- S8900** Trap 1¼" metal bottle, 75mm seal, outlet screwed 1¼" BSP male with compression nut and ring



ILLUSTRATED PRODUCT DETAILS

Sizes

S2636 w:400 x d:330

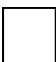



Weights

S2636 7.00 KG
E0157 0.16 KG
S8722 0.22 KG
S8920 2.00 KG

Materials

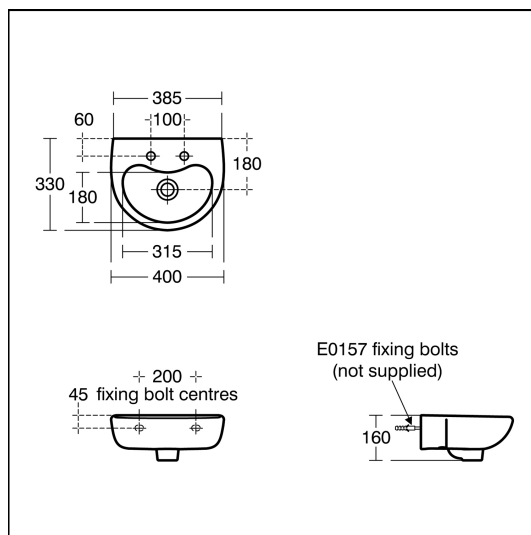
S2636 Vitreous China
E0157 Metal
S8722 Chrome Plated Metal
S8920 Plastic

Finishes

- S2636**  White (01)
- E0157**  Neutral / No Finish (67)
- S8722**  Chrome (AA)
- S8920**  Neutral / No Finish (67)

Capacity

S2636 1.9 litres



FEATURES



Special Notes

S9138 Bracket for 40cm basins
 Recommended fixing heights (floor to front rim);
 Nursery use 600mm
 Infant use 700mm
 Junior use 750mm
 Senior/adult use 780-800mm.
 Washbasin wall mounted using E015767 wall fixing set or panel mounted using E006267 fixing set