

Portman 21 Washbasin 40cm 2 Taphole At 100mm, No Overflow or Chainstay Hole

ILLUSTRATED

- S2158** Portman 21 washbasin 40cm, 2 tapholes at 100mm centres, no overflow or chainstay hole
- E0157** Wall fixing set
- B8267** Avon 21 washbasin inclined pillar taps (pair) with dual Hot and Cold indices per tap, self closing push button non concussive, water saving anti-vandal nozzle regulated to 3.7 litres per minute maximum. Alternative low pressure outlet option.
- S8720** (WT1) Waste 1¼" brass strainer waste, 80mm unslotted tail
- S8920** (TRR1/P) Trap 1¼" plastic resealing bottle, 75mm seal, multi-purpose outlet

OPTIONS

- E0062** Basin fixing set for IPS panels or block walls
- B9881** Sandringham 21 washbasin pillar taps, lever handles
- S8715** (WT3) Waste 1¼" waste with bead chain & plug 80mm unslotted tail, screw stay
- S8734** Waste 1¼" brass swivel plug waste, 80mm unslotted tail
- A5900** TMV Thermostatic mixing valve 15mm
- S9138** Bracket concealed with clamps and centre waste support for Portman 21, 40cm washbasins

ILLUSTRATED PRODUCT DETAILS

Sizes

S2158 w:40 x d:37

Weights

S2158 9.70 KG
E0157 0.16 KG
B8267 2.25 KG
S8720 0.23 KG
S8920 2.00 KG

Materials

S2158 Vitreous China
E0157 Metal
B8267 Chrome Plated Brass
S8720 Chrome Plated
S8920 Plastic

Finishes

- S2158** White (01)
- E0157** Neutral / No Finish (67)
- B8267** Chrome (AA)
- S8720** Chrome (AA)
- S8920** Neutral / No Finish (67)

Flow rates

B8267 3.7 Litres per minute @ 3 bar pressure

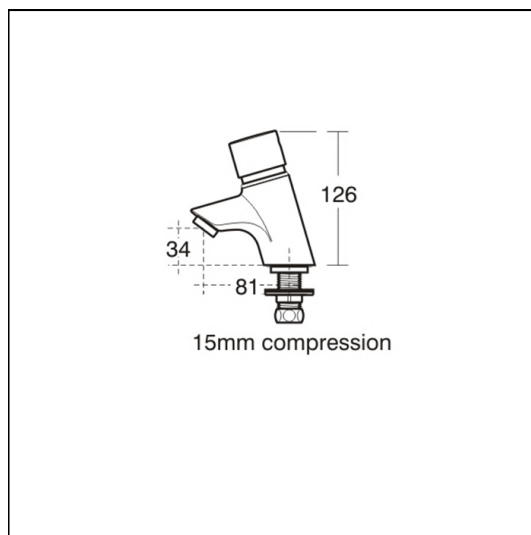
FINISH OPTIONS


 (MY) Stainless Steel finish


 (AA) Chrome

Special Notes

S9138 Bracket for 40cm basins
 Recommended fixing heights (floor to front rim);
 Nursery use 600mm



FEATURES



Portman 21 Washbasin 40cm 2 Taphole At 100mm, No Overflow or Chainstay Hole

Infant use 700mm

Junior use 750mm

Senior/adult use 780-800mm.

Washbasin wall mounted using E015767 wall fixing set or panel mounted using E006267 fixing set