

Sandringham 21 Corner Washbasin, 48cm 2 Tapholes

ILLUSTRATED

- E8942** Sandringham 21 corner washbasin, 2 tapholes with overflow and chainstay hole
- E8976** Sandringham 21 pedestal
- B9865** Sandringham 21 Washbasin Pillar Taps
- S8800** Waste 1¼" plastic waste with bead chain and plug, 80mm slotted tail, bolt stay
- S8950** Trap 1¼" plastic P for use with cloakroom pedestal

OPTIONS

- E0157** Wall fixing set
- E5010** Pair Steel Wall Hangers

ILLUSTRATED PRODUCT DETAILS

Sizes

E8942 w:340 x d:340


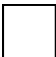

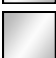

Weights

- E8942** 9.50 KG
- E8976** 10.28 KG
- B9865** 1.05 KG
- S8800** 0.08 KG
- S8950** 1.00 KG

Materials

- E8942** Vitreous China
- E8976** Vitreous China
- B9865** Chrome Plated Brass
- S8800** Chrome Plated Plastic
- S8950** Plastic

Finishes

- E8942**  White (01)
- E8976**  White (01)
- B9865**  Chrome (AA)
- S8800**  Chrome (AA)
- S8950**  Neutral / No Finish (67)

Flow rates

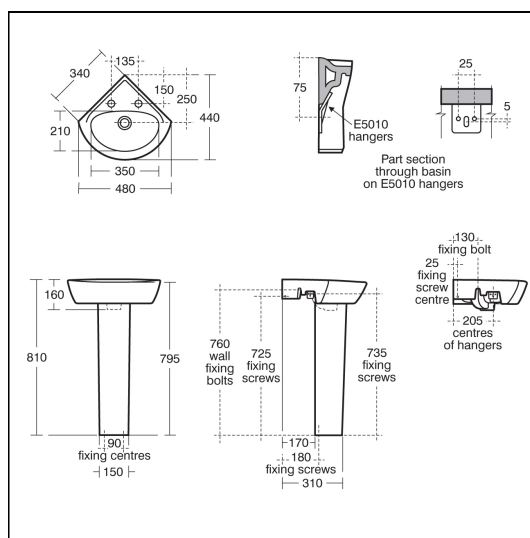
- B9865** 13 Litres per minute @ 3 bar pressure

Standards

Washbasin to BS EN 14688 & BS EN 31

Special Notes

Washbasin wall mounted using E5010 wall hangers and screwed to wall using screw (not supplied) or E0157 wall fixing bolts and screwed to wall using screw (not supplied) or full pedestal mounted using screw through back of basin (not supplied).



FEATURES

