

# Sandringham 21 Countertop Washbasin 50cm 2 Taphole

## ILLUSTRATED

- E8953** Sandringham 21 countertop washbasin 50cm, 2 tapholes with overflow and chainstay hole
- B9865** Sandringham 21 washbasin pillar taps
- S8800** Waste 1¼" plastic waste with bead chain and plug, 80mm slotted tail, bolt stay
- S8920** Trap 1¼" plastic resealing bottle, 75mm seal, multi-purpose outlet

## OPTIONS

- B9875** Sandringham 21 washbasin pillar taps, crosshead handles
- B9881** Sandringham 21 washbasin pillar taps, lever handles
- S8733** Waste 1¼" brass anti theft swivel plug waste, 80mm slotted tail
- A5900** TMV Thermostatic mixing valve 15mm
- S8910** Trap 1¼" plastic bottle, 75mm seal, multi-purpose outlet

## ILLUSTRATED PRODUCT DETAILS

### Sizes

**E8953** w:500 x d:430

### Weights

**E8953** 7.00 KG

**B9865** 1.05 KG

**S8800** 0.08 KG

**S8920** 2.00 KG

### Materials

**E8953** Vitreous China

**B9865** Chrome Plated Brass

**S8800** Chrome Plated Plastic


**S8920** Plastic

### Finishes

**E8953**  White (01)

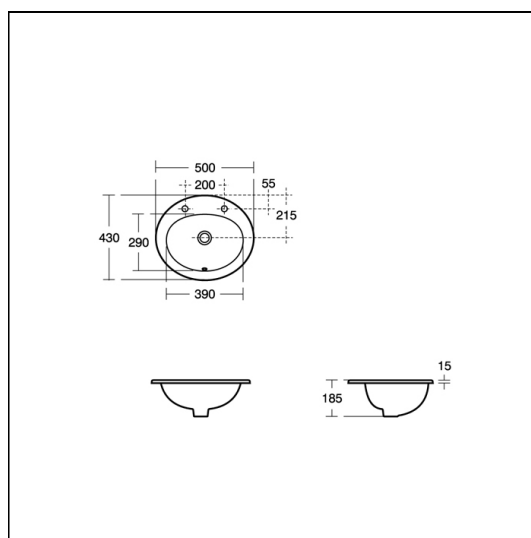
**B9865**  Chrome (AA)

**S8800**  Chrome (AA)

**S8920**  Neutral / No Finish (67)

### Flow rates

**B9865** 13 Litres per minute @ 3 bar pressure



### Special Notes

Self-rimming for drop-in installation as per template supplied and joint sealed with waterproof sealant (not supplied).