

# Sandringham 21 Handrinse Washbasin, 35cm RH Taphole

## ILLUSTRATED

- E8928** Sandringham 21 handrinse washbasin 35cm, right hand taphole, with overflow no chainstay hole
- B3307** Sandringham SL 21 basin mixer, no waste with 5 litre per minute eco flow regulator
- S8722** Waste 1¼" brass strainer waste, 80mm slotted tail
- S8900** Trap 1¼" metal bottle, 75mm seal, outlet screwed 1¼" BSP male with compression nut and ring
- E5010** Pair Steel Wall Hangers

## OPTIONS

- E0157** Wall fixing set
- B3306** Sandringham SL 21 basin mixer with pop-up waste and 5 litre per minute eco flow regulator
- B3308** Sandringham SL 21 basin mixer with weighted chain and 5lpm eco flow regulator
- S8733** Waste 1¼" brass anti theft swivel plug waste, 80mm slotted tail
- S8737** Waste 1¼" brass anti theft waste with captive plug, no chain, 80mm slotted tail
- S8920** Trap 1¼" plastic resealing bottle, 75mm seal, multi-purpose outlet
- S8910** Trap 1¼" plastic bottle, 75mm seal, multi-purpose outlet

## ILLUSTRATED PRODUCT DETAILS

### Sizes

**E8928** w:350 x d:260

### Weights

**E8928** 6.50 KG  
**B3307** 1.13 KG  
**S8722** 0.22 KG  
**S8900** 0.54 KG  
**E5010** 0.10 KG

### Materials

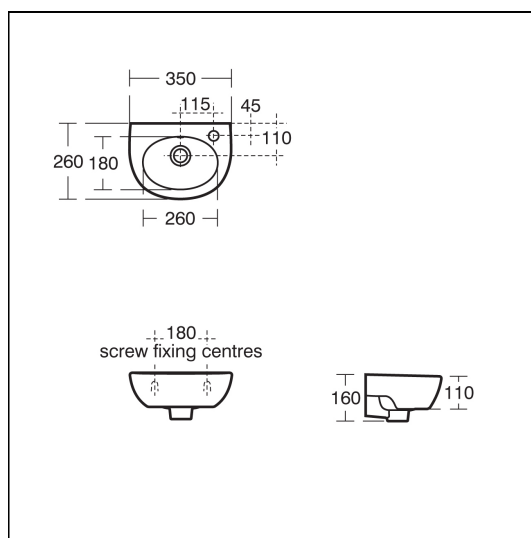
**E8928** Vitreous China  
**B3307** Chrome Plated Brass  
**S8722** Chrome Plated Metal  
**S8900** Chrome Plated Metal  
**E5010** Metal

### Finishes

- E8928**  White (01)
- B3307**  Chrome (AA)
- S8722**  Chrome (AA)
- S8900**  Chrome (AA)
- E5010**  Neutral / No Finish (67)

### Flow rates

**B3307** 5 Litres per minute @ 3 bar pressure



### Special Notes

Washbasin wall mounted using E5010 wall hangers and screwed to wall using 2 screws (not supplied) or E0157 wall fixing bolts and screwed to wall using 2 screws (not supplied).