

Markwik 1/2" Single Flow Pillar Mixer, 125mm Nozzle, 150mm Levers

ILLUSTRATED

S8200 Markwik 1/2" pillar mixer with 150mm levers, single flow pattern 125mm projection swivel spout and brass flow guide

ILLUSTRATED PRODUCT DETAILS

Weights

S8200 2.93 KG

Finishes

S8200  Chrome (AA)

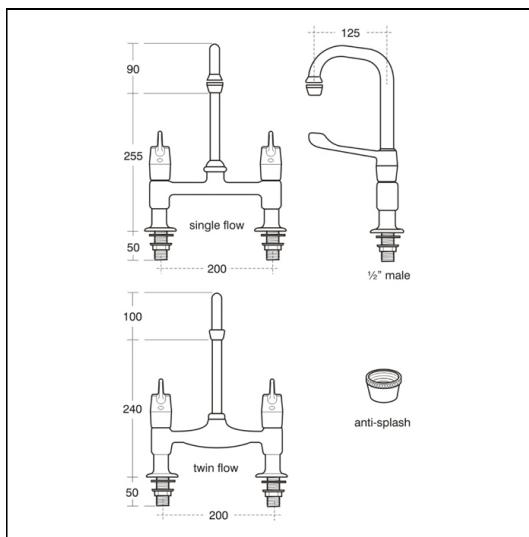
Materials

S8200 Chrome Plated Brass

Special Notes

Brass body and valve with elastomeric seat and brass flow guide. Flow rate 9 litres per minute @ 0.1 bar.

Consideration should be given to safe hot water delivery and the use of an appropriate temperature reduction device, please see A5900AA (for use with 15mm pipework) or A5901AA (for use with 22mm pipework).



ACCREDITATIONS



1806026