

# Edit R Single Lever Tall Basin Mixer

## ILLUSTRATED


**BC712** Edit R Single Lever Tall Basin Mixer, no waste

### ILLUSTRATED PRODUCT DETAILS

**Weights**

**BC712** 1.50 KG

**Finishes**

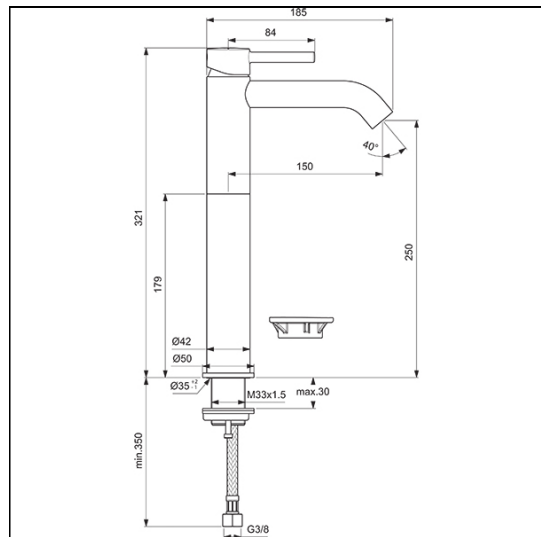
**BC712**  Chrome finish (AA)

**Materials**

**BC712** Chrome Plated Brass

**Special Notes**

Supplied with PEX flexi tails and 15mm compression connector and suitable for high pressure systems. Consideration should be given to safe hot water delivery and the use of an appropriate temperature reduction device. Fitted with a 5lpm flow regulator.



### ACCREDITATIONS

