

# Contour 21+ 1 Hole Thermostatic Basin Mixer with Flexible Tails

## ILLUSTRATED

**A6698** (TP6) Contour 21+ 1 hole thermostatic basin mixer, single sequential lever with flexible tails

### ILLUSTRATED PRODUCT DETAILS

#### Weights

**A6698** 2.10 KG

#### Finishes

**A6698**  Chrome (AA)

#### Materials

**A6698** Chrome Plated Brass

#### Flow rates

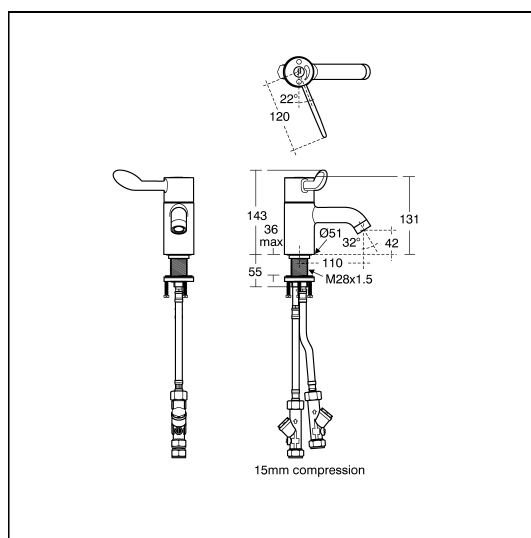
**A6698** 3.9 Litres per minute @ 3 bar pressure

#### Special Notes

Single sequential lever for on/off operation and temperature control. Supplied with service valves which include isolators, strainers, check valves, flow regulators and 15mm compression connections. Temperature factory set to 40±1°C.

Product will work on low pressure providing the flow regulator is removed and replaced using a flow guide (A960191NU). Factory fitted 3.8 litre per minute flow regulator in an anti-vandal housing. 1.9 litre per minute eco spray outlet also supplied.

Both require 1 bar minimum pressure. Clamping ring with three fixing screws for securefix to the basin which will not come loose if correctly installed.



### ACCREDITATIONS



1705011

### FEATURES

