

Sensorflow 21 WC Flushing Device, 4 or 4.5 Litre Cistern & Panel Mounted Sensor

ILLUSTRATED

S3599 Sensorflow 21 WC flushing device, panel mounted sensor complete with concealed valve and 4 or 4.5 litre duct cistern

ILLUSTRATED PRODUCT DETAILS

Weights

S3599 3.00 KG

Materials

S3599 Plastic

Finishes

S3599 Neutral / No Finish (67)

Capacity

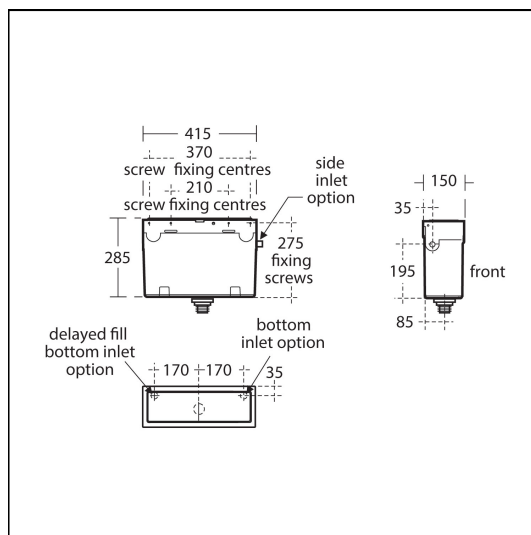
S3599 4.5 litres

Standards

Cistern to BS EN 14055

Special Notes

Mains powered Sensorflow products must be connected to a continuous permanent power supply of these require 220-240 volts and each 1 having its own fuse spur.



ACCREDITATIONS



FEATURES

