

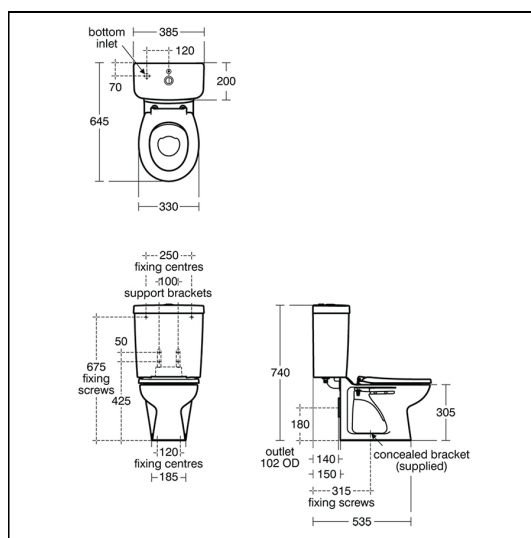
Contour 21 Close Coupled/BTW WC Pan 305mm high

ILLUSTRATED

- S3046** Contour 21 schools 305mm back to wall and close coupled WC pan with horizontal outlet
- S3064** Contour 21 schools close coupled 6/4 litre dual flush cistern, push button valve, bottom supply, internal overflow and secure cover fastener
- S4057** Contour 21 toilet seat only for 305mm high bowls, bottom fixing hinges
- S9101** Domex screws (pair)

OPTIONS

- S3617** Conceala 2 4.5 or 6 litre cistern, single flush syphon, side supply, internal overflow, plastic flushbend and long CP lever
- S3640** Conceala 2 4.5 litre cistern, single flush valve, side supply, internal overflow and alternative height plastic flushbends
- S3599** Sensorflow 21 WC flushing device, panel mounted sensor complete with concealed valve and 4 or 4.5 litre duct cistern
- S3643** Conceala 2 4.5/3 or 4/2.6 litre cistern, dual flush valve, side supply, internal overflow, alternative height plastic flushbends, no flushplate/button
- S3696** Contour 21 schools close coupled delay fill 4.5 litre cistern, single flush syphon, spatula lever, bottom supply, internal overflow with secure cover fastener
- S4056** Contour 21 toilet seat and cover for 305mm high bowls, bottom fixing hinges
- S4513** Palm push button pneumatic, stainless steel for 31mm maximum thickness partition
- S4305** Panekta outlet connector to convert horizontal outlet wcs to P trap
- S4300** Panekta outlet connector to convert horizontal outlet wcs to S or turned P trap



ILLUSTRATED PRODUCT DETAILS

Weights

- S3046** 15.00 KG
- S3064** 11.00 KG
- S4057** 1.20 KG
- S9101** 0.22 KG

Materials

- S3046** Vitreous China
- S3064** Vitreous China
- S4057** Plastic
- S9101** Metal

Finishes

- S3046** White (01)
- S3064** White (01)
- S4057** White (01)
- S9101** White (01)

Capacity

- S3064** 6.0 litres

Designer

Robin Levien, RDI

FINISH OPTIONS

FEATURES



Contour 21 Close Coupled/BTW WC Pan 305mm high



(01) White



(36) Blue



(66) Black



(GQ) Red



(LJ) Grey

Standards

WC bowl to BS EN 997 & BS EN 33

Special Notes

WC screwed to floor and cistern screwed to wall.