

# Markwik 21+ 2 Hole Thermostatic Basin Mixer

## ILLUSTRATED

**A6734** Markwik 21+ 2 hole thermostatic basin mixer, single sequential lever, demountable

## OPTIONS

**A6898** Markwik 21+ purging kit for 2 hole thermostatic mixers

## ILLUSTRATED PRODUCT DETAILS

### Weights

**A6734** 4.00 KG

### Finishes

**A6734**  Chrome (AA)

### Materials

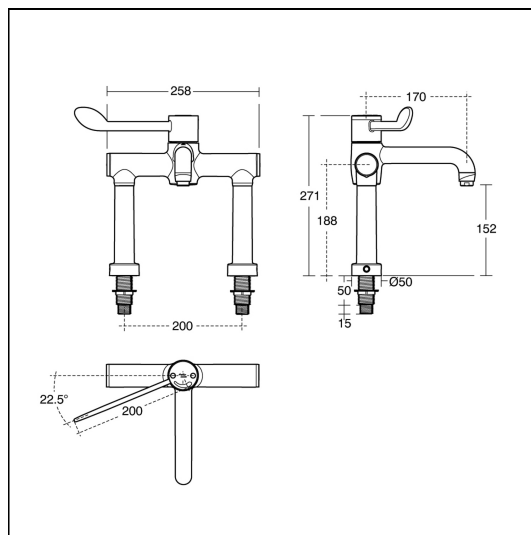
**A6734** Chrome Plated Brass

### Standards

TMV3, WRAS

### Special Notes

Minimum 0.6 bar pressure, regulated flow to a maximum of 10 litres per minute. A separate purging kit is available to facilitate installation flushing and water sampling.



## ACCREDITATIONS



## FEATURES

