

Conceala 3 Sensorflow 21 Single Flush, Side Inlet Cistern, Panel Mounted Sensor

ILLUSTRATED

S3333 Conceala 3 Sensorflow 21 single flush 6 litre cistern, side inlet, panel mounted touch free sensor actuation, easy adjustable to low water volumes (4.5 or 4 litres) for water saving, internal overflow, flushpipe included

ILLUSTRATED PRODUCT DETAILS


Weights

S3333 3.15 KG

Materials

S3333 Plastic

Finishes

S3333  Neutral/No Finish (67)

Capacity

S3333 6.0 litres

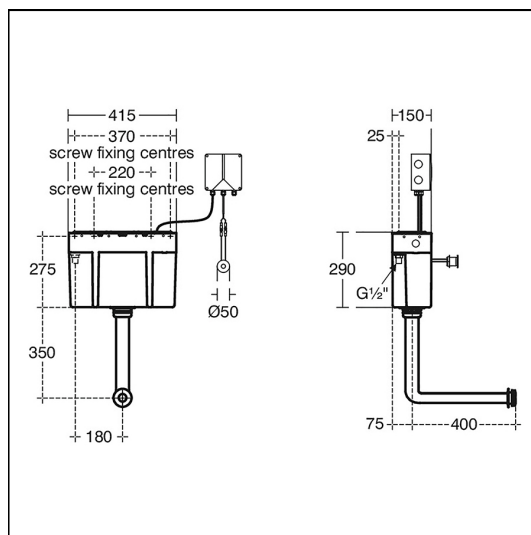
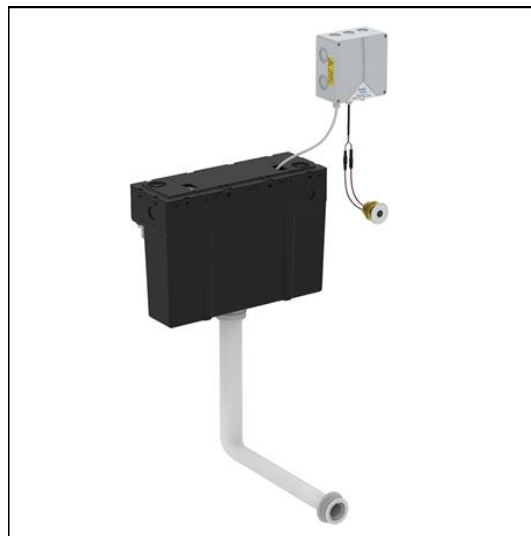
Standards

Cistern to BS EN 14055

Special Notes

Mains powered Sensorflow products must be connected to a continuous permanent power supply of these require 220-240 volts and each 1 having its own fuse spur
Please refer to the installation instructions before fitting.

Previous Conceala 2 equivalent S358967 or S359967



FEATURES

