

Sandringham SL 21 Basin pillar taps 1/2"

ILLUSTRATED

B3304 Sandringham SL 21 basin pillar taps 1/2" with 4 litre per minute eco flow regulators, pair

ILLUSTRATED PRODUCT DETAILS

Weights

B3304 1.37 KG

Finishes

B3304  Chrome (AA)

Materials

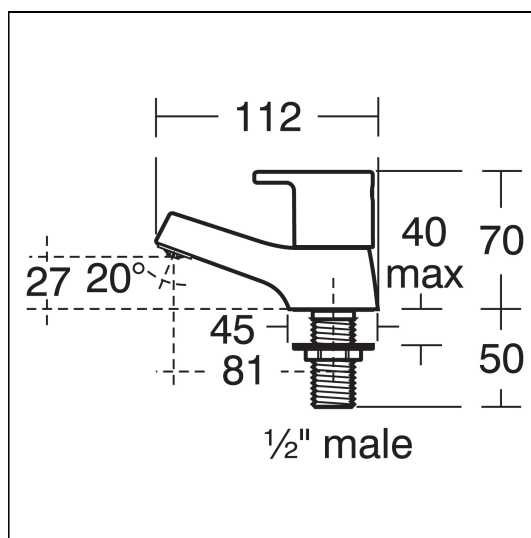
B3304 Chrome Plated Brass

Flow rates

B3304 8 Litres per minute @ 3 bar pressure

Special Notes

Suitable for balanced/unbalanced supplies. Inlets screwed 1/2" BSP male, coned for copper. Consideration should be given to safe hot water delivery and the use of an appropriate temperature reduction device, please see A5900AA (for use with 15mm pipework) or A5901AA (for use with 22mm pipework). Water saving can be achieved by the use of flow limiters such as L6935NU to deliver a maximum of 4 litres per minute. Unregulated flow rate 8.2 litres per minute at 0.1 Bar.



FEATURES

