

Marlow 21 Oval 55cm Under-countertop Washbasin, Overflow

ILLUSTRATED

- S2685** Marlow 21 Oval 55cm under-countertop washbasin with overflow
- BC121** Contour 21+ single lever 1 hole basin mixer, no waste, flexible tails
- S8733** Waste 1¼" brass anti theft swivel plug waste, 80mm slotted tail
- S8920** Trap 1¼" plastic resealing bottle, 75mm seal, multi-purpose outlet

OPTIONS

- A4852** Sensorflow 21 compact washbasin mounted spout with integral sensor, 3.7 litre per minute aerated spray outlet, combined inlet servicing valve and filter, mains
- S8803** Waste 1¼" Click plug waste, 80mm slotted tail
- S8722** Waste 1¼" brass strainer waste, 80mm slotted tail
- A5900** TMV thermostatic mixing valve, 15mm
- S8910** Trap 1¼" plastic bottle, 75mm seal, multi-purpose outlet
- E0079** Trap 1¼" Contemporary metal bottle, 75mm seal

ILLUSTRATED PRODUCT DETAILS

Sizes

S2685 w:560 x d:440

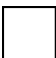
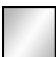


Weights

- S2685** 8.00 KG
- BC121** 1.54 KG
- S8733** 0.35 KG
- S8920** 2.00 KG

Materials

- S2685** Fine Fireclay
- BC121** Chrome Plated Brass
- S8733** Chrome Plated Metal
- S8920** Plastic

Finishes

- S2685**  White (01)
- BC121**  Chrome (AA)
- S8733**  Chrome (AA)
- S8920**  Neutral / No Finish (67)

Capacity

S2685 4.6 litres

Flow rates

BC121 5 Litres per minute @ 3 bar pressure

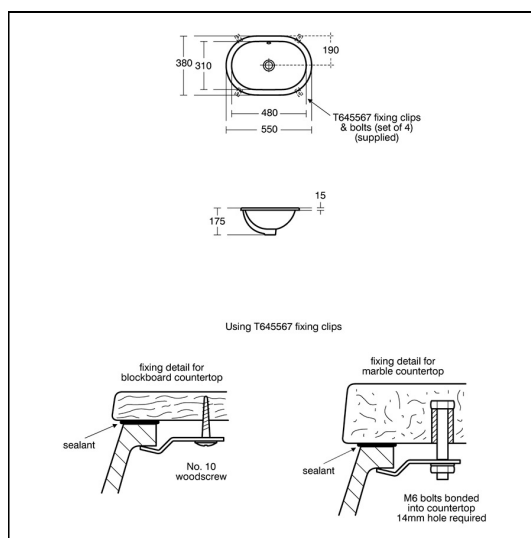
Designer

Robin Levien, RDI

Special Notes

This washbasin is not suitable for separate pillar taps. Washbasin mounted on underside of countertop using fixing clips provided. Joint sealed using waterproof sealant (not supplied).

Consideration should be given to safe hot water delivery and the use of an appropriate temperature reduction device see A5900AA



ACCREDITATIONS

S2685(01)

Unified Water Label  4.6 Litres

A4852(AA)

Unified Water Label  3.70 Litres Per Minute

BC121(AA)

Unified Water Label  5.00 Litres Per Minute



1703005