

Contour 21 Accessible Washbasin 60cm 2 Taphole Overflow & Chainstay Hole

ILLUSTRATED

- S2169** Contour 21 accessible washbasin, 60cm, 2 tapholes with overflow and chainstay hole
- S8800** Waste 1¼" plastic waste with bead chain and plug, 80mm slotted tail, bolt stay
- E0079** Trap 1¼" Contemporary metal bottle, 75mm seal

OPTIONS

- B1678** Alterna 21 1/2" pillar taps with lever handles (pair)
- S8260** Markwik ½" lever action basin pillar taps
- A5900** TMV thermostatic mixing valve, 15mm
- S8920** Trap 1¼" plastic resealing bottle, 75mm seal, multi-purpose outlet



ILLUSTRATED PRODUCT DETAILS

Sizes

S2169 w:60 x d:55




Weights

S2169 17.59 KG
S8800 0.08 KG
E0079 1.45 KG

Materials

S2169 Vitreous China
S8800 Chrome Plated Plastic
E0079 Chrome Plated Metal

Finishes

- S2169**  White (01)
- S8800**  Chrome (AA)
- E0079**  Chrome (AA)

Designer

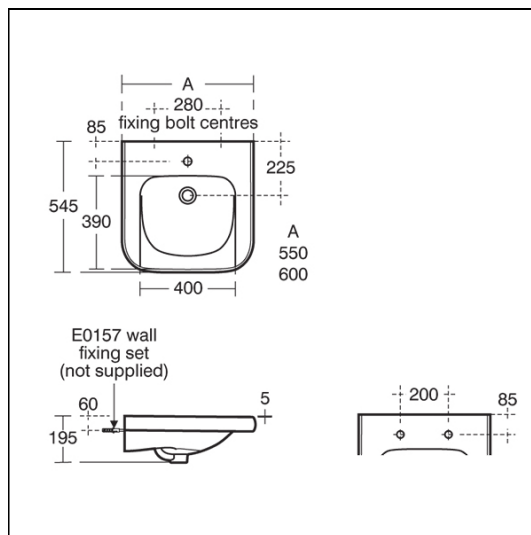
Robin Levien, RDI

Standards

Washbasin to BS EN 14688 & BS EN 31

Special Notes

Suitable for use with handrinse basins in public areas and Doc M. Satisfies DDA requirements. Single easy use lever operates on/off and temperature control. Eliminates the need for premixed water.



FEATURES

