

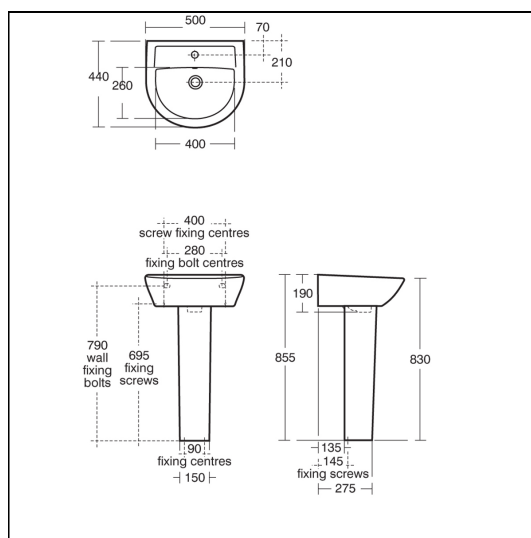
Sandringham 21 Washbasin 50cm 1 Taphole

ILLUSTRATED

- E8945** Sandringham 21 washbasin 50cm, 1 taphole, with overflow no chainstay hole
- E8976** Sandringham 21 pedestal
- B3307** Sandringham SL 21 basin mixer, no waste with 5 litre per minute eco flow regulator
- S8733** Waste 1¼" brass anti theft swivel plug waste, 80mm slotted tail
- S8920** Trap 1¼" plastic resealing bottle, 75mm seal, multi-purpose outlet

OPTIONS

- E0157** Wall fixing set
- B3306** Sandringham SL 21 basin mixer with pop-up waste and 5 litre per minute eco flow regulator
- B3308** Sandringham SL 21 basin mixer with weighted chain and 5 litre per minute eco flow regulator
- S8722** Waste 1¼" brass strainer waste, 80mm slotted tail
- S8737** Waste 1¼" brass anti theft waste with captive plug, no chain, 80mm slotted tail
- A5900** TMV thermostatic mixing valve, 15mm
- S8910** Trap 1¼" plastic bottle, 75mm seal, multi-purpose outlet



ILLUSTRATED PRODUCT DETAILS

Sizes

E8945 w:500 x d:440






Weights

E8945 15.00 KG
E8976 10.28 KG
B3307 1.13 KG
S8733 0.35 KG
S8920 2.00 KG

Materials

E8945 Vitreous China
E8976 Vitreous China
B3307 Chrome Plated Brass
S8733 Chrome Plated Metal
S8920 Plastic

Finishes

E8945  White (01)
E8976  White (01)
B3307  Chrome (AA)
S8733  Chrome (AA)
S8920  Neutral / No Finish (67)

Capacity

E8945 3.4 litres

Flow rates

B3307 5 Litres per minute @ 3 bar pressure

Special Notes

Washbasin wall mounted using E0157 wall fixing set or full pedestal mounted using 2 screws through back of basin (not supplied).