

Sandringham 21 Washbasin 50cm 2 Taphole

ILLUSTRATED

- E8946** Sandringham 21 washbasin 50cm, 2 taphole, with overflow and chainstay hole
- E8976** Sandringham 21 pedestal
- S8800** Waste 1¼" plastic waste with bead chain and plug, 80mm slotted tail, bolt stay
- S8950** Trap 1¼" plastic P for use with cloakroom pedestal

OPTIONS

- E0157** Wall fixing set
- B9881** Sandringham 21 washbasin pillar taps, lever handles
- B3304** Sandringham SL 21 basin pillar taps 1/2" with 4 litre per minute eco flow regulators, pair
- S8722** Waste 1¼" brass strainer waste, 80mm slotted tail
- S8733** Waste 1¼" brass anti theft swivel plug waste, 80mm slotted tail
- S8810** Waste 1¼" plastic strainer, dished pattern 80mm unslotted tail
- S8900** Trap 1¼" metal bottle, 75mm seal, outlet screwed 1¼" BSP male with compression nut and ring
- S8910** Trap 1¼" plastic bottle, 75mm seal, multi-purpose outlet
- S8920** Trap 1¼" plastic resealing bottle, 75mm seal, multi-purpose outlet

ILLUSTRATED PRODUCT DETAILS

Sizes

E8946 w:500 x d:440

Weights

E8946 15.00 KG

E8976 10.28 KG

S8800 0.08 KG

S8950 1.00 KG

Materials


E8946 Vitreous China

E8976 Vitreous China

S8800 Chrome Plated Plastic


S8950 Plastic

Finishes

E8946  White (01)

E8976  White (01)

S8800  Chrome (AA)

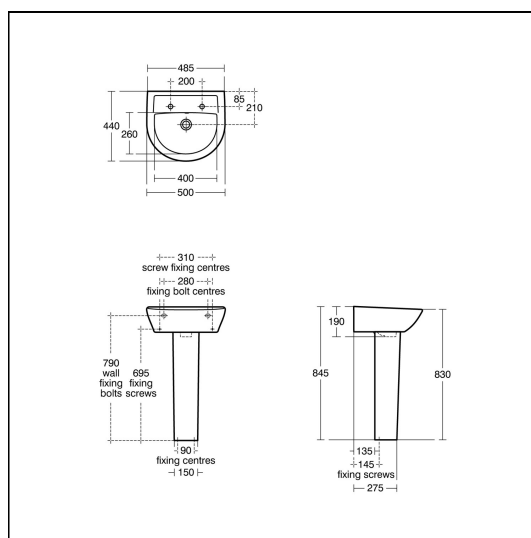
S8950  Neutral / No Finish (67)

Capacity

E8946 3.3 litres

Special Notes

Washbasin wall mounted using E0157 wall fixing set or full pedestal mounted using 2 screws through back of basin (not supplied).



Sandringham 21 Washbasin 50cm 2 Taphole

