

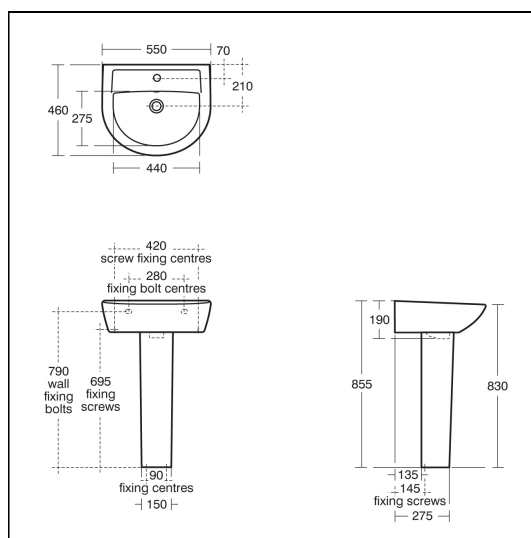
Sandringham 21 Washbasin 55cm 1 Taphole With Overflow & Chainstay Hole

ILLUSTRATED

- E8962** Sandringham 21 washbasin 55cm, 1 taphole, with overflow and chainstay hole
- E8976** Sandringham 21 pedestal
- B3307** Sandringham SL 21 basin mixer, no waste with 5 litre per minute eco flow regulator
- S8800** Waste 1¼" plastic waste with bead chain and plug, 80mm slotted tail, bolt stay
- S8950** Trap 1¼" plastic P for use with cloakroom pedestal

OPTIONS

- S9513** Chainstay hole stopper - catalogue description
- E0157** Wall fixing set
- S8722** Waste 1¼" brass strainer waste, 80mm slotted tail
- S8733** Waste 1¼" brass anti theft swivel plug waste, 80mm slotted tail
- S8810** Waste 1¼" plastic strainer, dished pattern 80mm unslotted tail
- A5900** TMV thermostatic mixing valve, 15mm
- S8910** Trap 1¼" plastic bottle, 75mm seal, multi-purpose outlet
- S8920** Trap 1¼" plastic resealing bottle, 75mm seal, multi-purpose outlet



ILLUSTRATED PRODUCT DETAILS

Sizes

E8962 w:550 x d:460

Weights

E8962 16.00 KG
E8976 10.28 KG
B3307 1.13 KG
S8800 0.08 KG
S8950 1.00 KG

Finishes

- E8962** White (01)
- E8976** White (01)
- B3307** Chrome (AA)
- S8800** Chrome (AA)
- S8950** Neutral / No Finish (67)

Materials

E8962 Vitreous China
E8976 Vitreous China
B3307 Chrome Plated Brass
S8800 Chrome Plated Plastic
S8950 Plastic

Flow rates

B3307 5 Litres per minute @ 3 bar pressure

Special Notes

Washbasin wall mounted using E0157 wall fixing set or full pedestal mounted using 2 screws through back of basin (not supplied).