

Sandringham 21 High Neck Sink Pillar Taps, Lever Handles

ILLUSTRATED

B9885 Sandringham 21 high neck sink pillar taps, lever handles

ILLUSTRATED PRODUCT DETAILS

Weights

B9885 1.36 KG

Finishes

B9885  Chrome (AA)

Materials

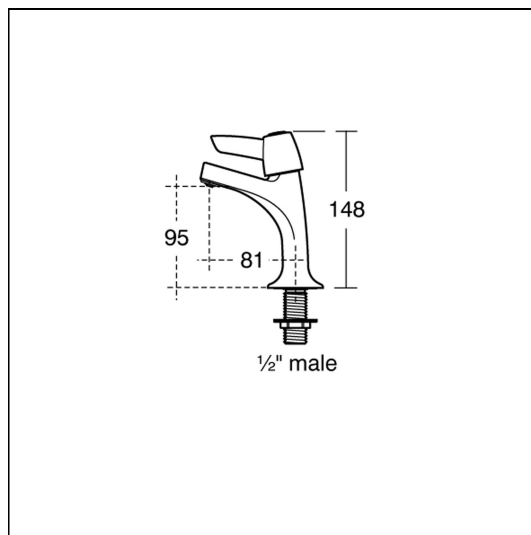
B9885 Chrome Plated Brass

Flow rates

B9885 6.8 Litres per minute @ 3 bar pressure

Special Notes

Suitable for balanced/unbalanced supplies high or low pressure. Inlets screwed 1/2" BSP male, coned for copper. Pillar taps come supplied with brass back nuts. Consideration should be given to safe hot water delivery and the use of an appropriate temperature reduction device, please see A5900AA (for use with 15mm pipework) or A5901AA (for use with 22mm pipework). Unregulated flow rate 7.5 litres per minute at 0.1 bar.



ACCREDITATIONS



1209112