

Sandringham 21 Water Saving Steel bath 170cmx70cm 2 Tapholes With Handgrips & Anti-slip* (130 Litres)

ILLUSTRATED

- S1839** Sandringham 21 water saving 170cm x 70cm standard gauge steel bath with chrome plated grips, 2 tapholes and anti-slip*
- S8970** Trap 1½" plastic P with 75mm seal, multi-purpose outlet suitable for plastic and BS copper pipe
- S8840** 1 1/2" combination bath waste & trap with overflow and domed clicker
- A5901** TMV thermostatic mixing valve, 22mm

OPTIONS

- B9882** Sandringham 21 bath pillar taps, lever handles
- S0915** Bath flat front panel
- S0916** Bath flat end panel
- S9365** Bath panel plastic corner edge strip
- S8830** Waste 1½" bath chain and overflow, plastic plug

ILLUSTRATED PRODUCT DETAILS




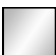
Weights

- S1839** 25.51 KG
- S8970** 1.00 KG
- S8840** 0.31 KG
- A5901** 0.60 KG

Materials

- S1839** Porcelain Enamelled Steel
- S8970** Plastic
- S8840** Plastic
- A5901** Chrome Plated Metal

Finishes

- S1839**  White (01)
- S8970**  Neutral / No Finish (67)
- S8840**  Chrome (AA)
- A5901**  Chrome (AA)

Capacity

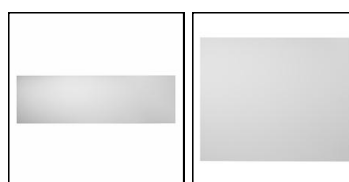
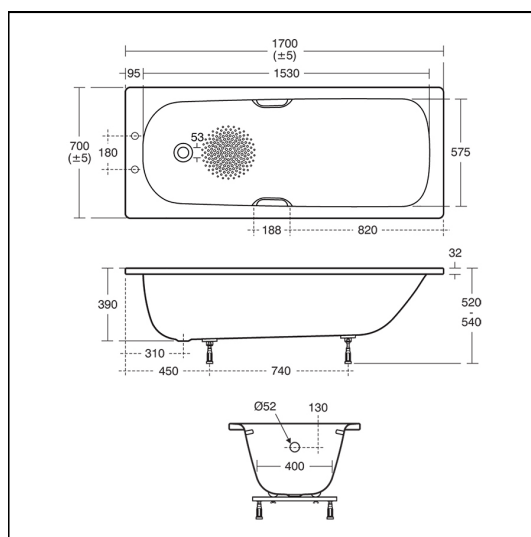
- S1839** 130.0 litres (to overflow)

Standards

BS 1390:1990. EN 14516

Special Notes

*Anti-slip is a resistant finish that reduces the chances of slipping, it does not prevent all slipping. Not suitable in areas involving the use of special chemicals. Framework is required at installation to support rim and secure panel. Panels require trimming to size at installation. Consideration should be given to safe hot water delivery and the use of an appropriate temperature reduction device, see A5901AA or Part G for guidance.



FEATURES

