

Sandringham 21 Handrinse Washbasin, 35cm RH Taphole

ILLUSTRATED

- E8928** Sandringham 21 handrinse washbasin 35cm, right hand taphole, with overflow no chainstay hole
- B3307** Sandringham SL 21 basin mixer, no waste with 5 litre per minute eco flow regulator
- S8722** Waste 1¼" brass strainer waste, 80mm slotted tail
- S8900** Trap 1¼" metal bottle, 75mm seal, outlet screwed 1¼" BSP male with compression nut and ring
- E5010** Pair Steel Wall Hangers

OPTIONS

- E0157** Wall fixing set
- B3306** Sandringham SL 21 basin mixer with pop-up waste and 5 litre per minute eco flow regulator
- B3308** Sandringham SL 21 basin mixer with weighted chain and 5 litre per minute eco flow regulator
- S8733** Waste 1¼" brass anti theft swivel plug waste, 80mm slotted tail
- S8737** Waste 1¼" brass anti theft waste with captive plug, no chain, 80mm slotted tail
- S8920** Trap 1¼" plastic resealing bottle, 75mm seal, multi-purpose outlet
- S8910** Trap 1¼" plastic bottle, 75mm seal, multi-purpose outlet

ILLUSTRATED PRODUCT DETAILS

Sizes

E8928 w:350 x d:260

Weights

E8928 6.50 KG

B3307 1.13 KG

S8722 0.22 KG

S8900 0.54 KG

E5010 0.10 KG

Materials

E8928 Vitreous China


B3307 Chrome Plated Brass

S8722 Chrome Plated Metal

S8900 Chrome Plated Metal

E5010 Metal

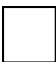
Finishes

E8928  White (01)

B3307  Chrome (AA)

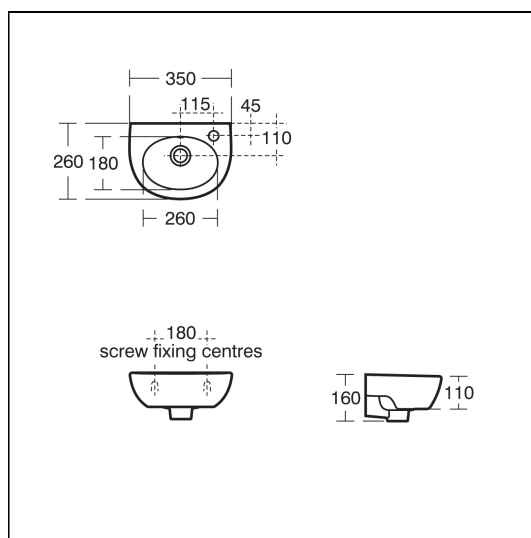
S8722  Chrome (AA)

S8900  Chrome (AA)

E5010  Neutral / No Finish (67)

Flow rates

B3307 5 Litres per minute @ 3 bar pressure



Special Notes

Washbasin wall mounted using E5010 wall hangers and screwed to wall using 2 screws (not supplied) or E0157 wall fixing bolts and screwed to wall using 2 screws (not supplied).