

Sensorflow 21 Washbasin Tall Spout Electronic Sensor, Mains

ILLUSTRATED

A4171 Sensorflow 21 washbasin mounted tall spout with integral sensor, anti-vandal laminar flow outlet, copper tube inlet, servicing valve and filter, mains

ILLUSTRATED PRODUCT DETAILS

Weights

A4171 3.60 KG

Finishes

A4171  Chrome (AA)

Materials

A4171 Chrome Plated Brass

Flow rates

A4171 3.7 Litres per minute @ 3 bar pressure

Special Notes

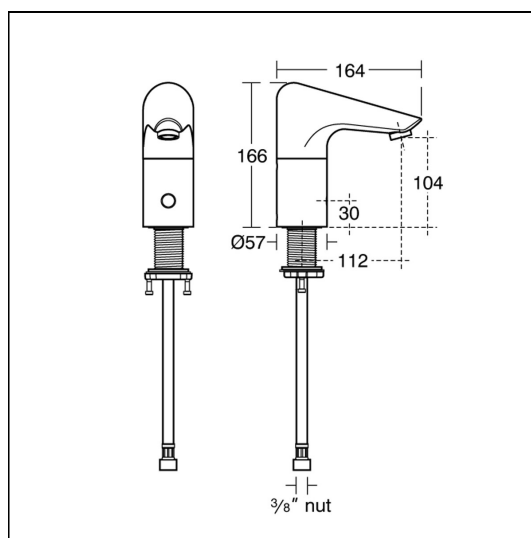
Designed to be supplied with pre-mixed water.

Consideration should be given to safe hot water delivery and the use of an appropriate temperature reduction device, please see A5900AA (for use with 15mm pipework) or A5901AA (for use with 22mm pipework).

The sensor is set to work in the normal handwashing position. All spouts supplied complete with individual solenoid valve, copper tube inlet and combined servicing valve and filter. Spouts with integral sensors detect hands within the sensing range and the solenoid valve is opened.

Automatically shuts off if sensor is obstructed for a maximum of 55 seconds. Flow rate regulated to 3.7 litres per minute at 1 bar minimum pressure.

Mains powered Sensorflow products must be connected to a continuous permanent power supply of these require 220-240 volts and each 1 having its own fuse spur.



ACCREDITATIONS

A4171(AA)



FEATURES

