

Sandringham SL 21 Basin mixer with pop up waste

ILLUSTRATED

B3306 Sandringham SL 21 basin mixer with pop-up waste and 5 litre per minute eco flow regulator

OPTIONS

A5900 TMV thermostatic mixing valve, 15mm

ILLUSTRATED PRODUCT DETAILS

Weights

B3306 1.45 KG

Finishes

B3306  Chrome (AA)

Materials

B3306 Chrome Plated Brass

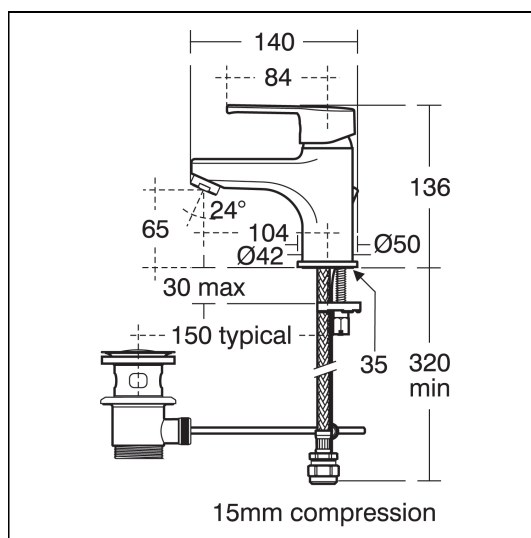
Flow rates

B3306 5 Litres per minute @ 3 bar pressure

Special Notes

Easy to operate lever handle. Ceramic disc valves.

Factory fitted 5 litre per minute flow regulator. Consideration should be given to safe hot water delivery and the use of an appropriate temperature reduction device, please see A5900AA (for use with 15mm pipework) or A5901AA (for use with 22mm pipework).



ACCREDITATIONS



FEATURES

