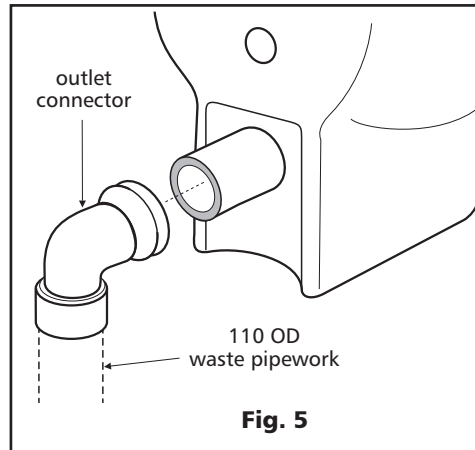


## OUTLET CONNECTOR TO WASTE PIPEWORK

**Fit outlet connector** to waste pipework, (**Fig. 5**), (not supplied), ready to take closet. The closet will have to be removed from its marked position for this to be done.



**Reposition closet** into position previously marked on floor making connections to both flush pipe and waste pipe. Ensure both connectors are pushed home fully, the cistern may have to be lifted slightly to aid ease of fitting.

**Screw closet to floor**, (screws not supplied).

**Connect float-operated valve** to pipework and test. Ensure that the water level in cistern is correct.

Armitage Shanks  
Armitage, Rugeley,  
Staffordshire.  
England. WS15 4BT.  
Telephone: 01543 490253  
Fax: 01543 491677

**CUSTOMER CARE HELPLINE**  
**0870 1296085**  
**CUSTOMER CARE FAX LINE 01482 499611**  
**email: ukcustcare@IdealStandard.com**

We pursue a policy of continuing improvement in design and performance of our products. The right is, therefore, reserved to vary specifications without notice.

Ideal Standard (UK) Ltd.

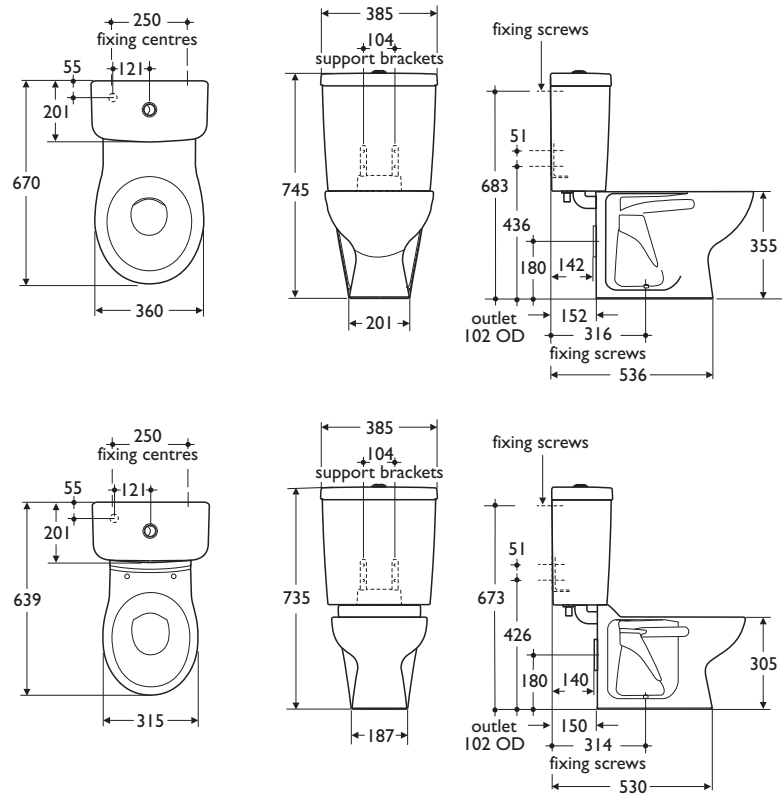
4629 03/08  
EEM34462967

# CONTOUR 21 CLOSET SUITES

## Installation Instruction

**CISTERN FITTINGS  
PRE-FITTED**

## TECHNICAL INFORMATION



All dimensions shown in millimetres. Dimensions shown may vary within permitted tolerances.

**Fig. 1**

The closet bowls have a horizontal outlet which conforms to the dimensions of BS 5503. The cistern is designed to suit current Water Regulations.

### WARNING

Do not bed closet bowl to the floor with cement mortar otherwise the closet foot could split after installation.

### SERVICING VALVES

The Water Regulations have a requirement to fit a servicing valve adjacent to the cistern. This is to enable the water supply to be shut off, if required without shutting off the supply to other appliances.

### CLOSET SEAT

It is recommended that fitting the closet seat be the last operation. This will avoid the risk of scratching the seat when tiling etc.

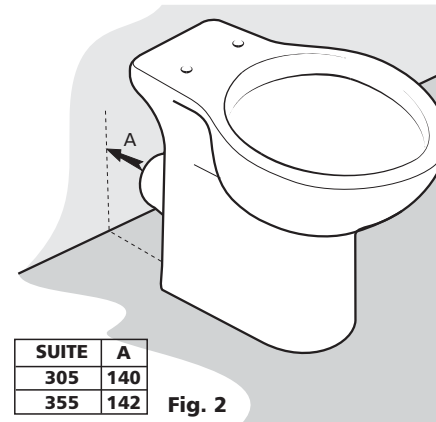
**ALL JOINTS** needing to be watertight are supplied with rubber gaskets.

Waterproof sealant **MUST NOT BE USED** to seal, as this will have a detrimental effect on all submerged rubber seals.

## INSTALLATION

**Position closet bowl (Fig. 2)** and mark the outline of the closet bowl on the floor.

Lower the empty cistern onto the rear of the bowl, keeping cistern against the wall(s). Mark the cistern fixing screw hole positions on the wall. Remove cistern and closet bowl, drill and plug wall for cistern fixings.



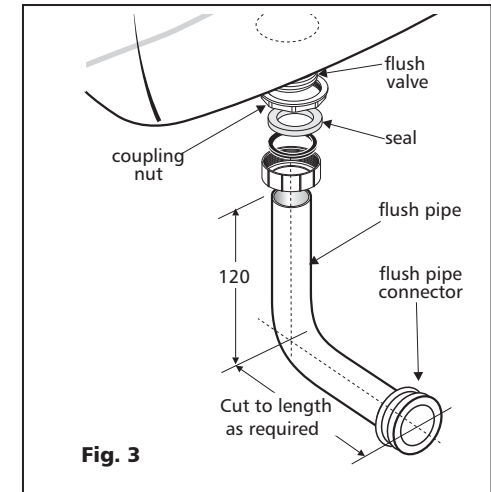
**Fig. 2**

### FITTING FLUSH PIPE ASSEMBLY

*The flush pipe is to be cut down as indicated prior to assembly, (Fig. 3).*

**Place the coupling nut**, coupling washer and ring on to the top end of the flush pipe. Insert flush pipe into the flush valve and tighten the coupling nut and coupling washer onto the flush valve. Fit the flush pipe connector to the bottom end of the pipe.

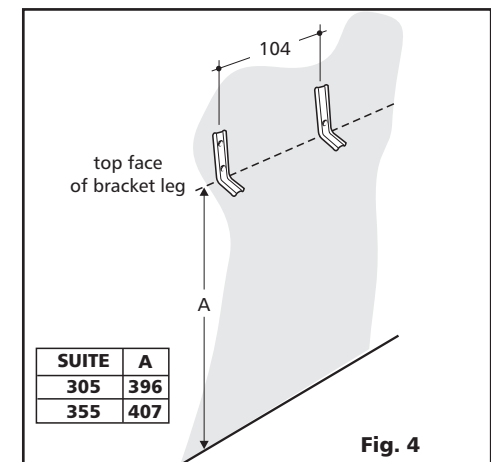
**Reposition assembled cistern** onto the closet bowl and screw to wall with No. 12 woodscrews (not supplied). Swing flush pipe to one side at this stage to aid fitting.



**Fig. 3**

### CISTERN SUPPORT BRACKETS

For installations where the cistern does not rest on the rear of the closet bowl, alternative cistern support brackets are required. These are positioned and fixed on the wall, (Fig. 4), locating in the recesses at the back of the cistern. Secure the cistern to the wall using No. 12 woodscrews (not supplied). The flush pipe will need to be cut to suit the installation.



**Fig. 4**