

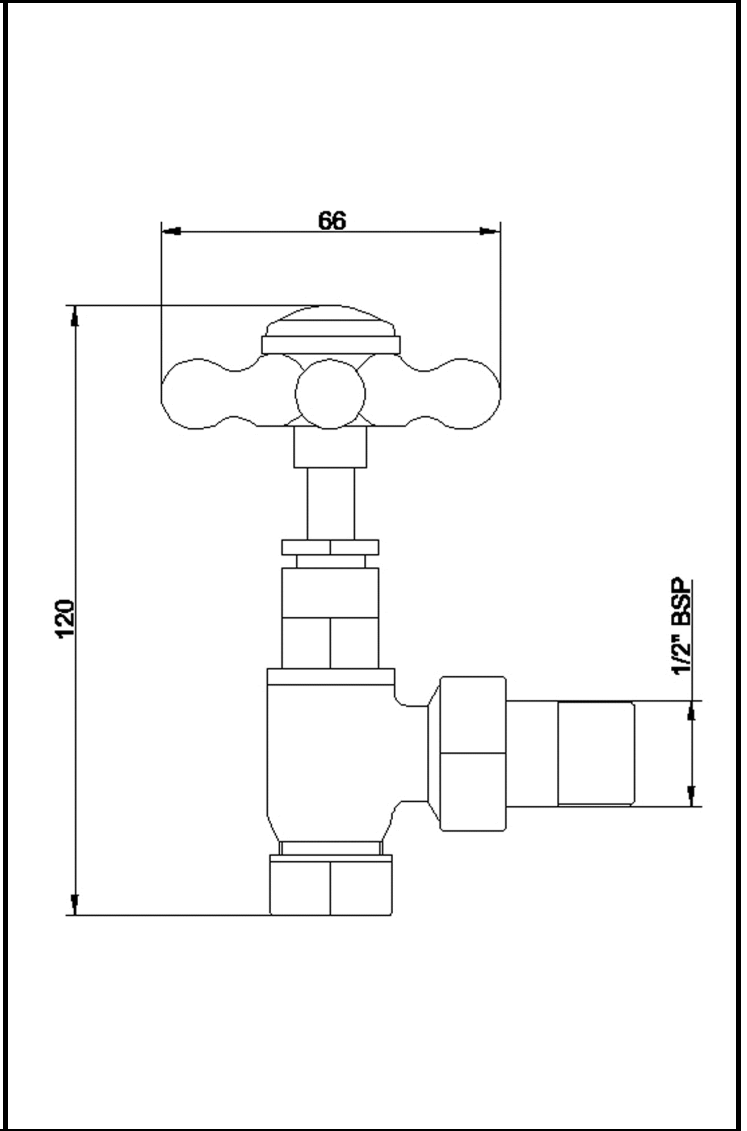
B A Y S W A T E R

London W.2

CODE: BAYV101

DESCRIPTION: Angled Xhead Radiator Valve (Pair)

CATEGORY: Heating



PRODUCT DIMENSIONS				
Height (mm)	Width (mm)	Depth (mm)	Length (mm)	Nett Wgt Kg
120	66	66		0.92

PACKAGING DIMENSIONS			
Height (mm)	Width (mm)	Depth (mm)	Gross Wgt Kg
170	110	55	0.92

PACKAGING DATA			
Box Colour	White Cardboard Box		
Box Qty	1	Label Colour	White Label
Label Size	100 x 50	Label Qty	1

OUTER BOX DIMENSIONS (If Applicable)			
Height (mm)	Width (mm)	Length (mm)	Gross Wgt Kg
Barcode	5055275890158		

PRODUCT DETAILS	
Contry of Origin	United Kingdom
Fitting Instruction	Yes
RAL No	N/A
Heat Element Wattage	Not Applicable
BTU @ 50 Degrees	N/A
Thermal Output @ 50 Degrees	N/A
Pipe Centres	N/A
Volume	N/A
Wall to Ctr of Tappings	N/A
Duel Fuel	N/A

Certification	CE	N/A	RoHS	N/A	WEEE	N/A
Colour/Finish	Chrome					
Product Material	Steel					
Heat Element Wattage Compatible	N/A					
BTU @ 60 Degrees	N/A					
Thermal Output @ 60 Degrees	N/A					
Max Projection	70mm					
Tube Diameter	N/A					
Floor to Ctr of Tappings	N/A					