

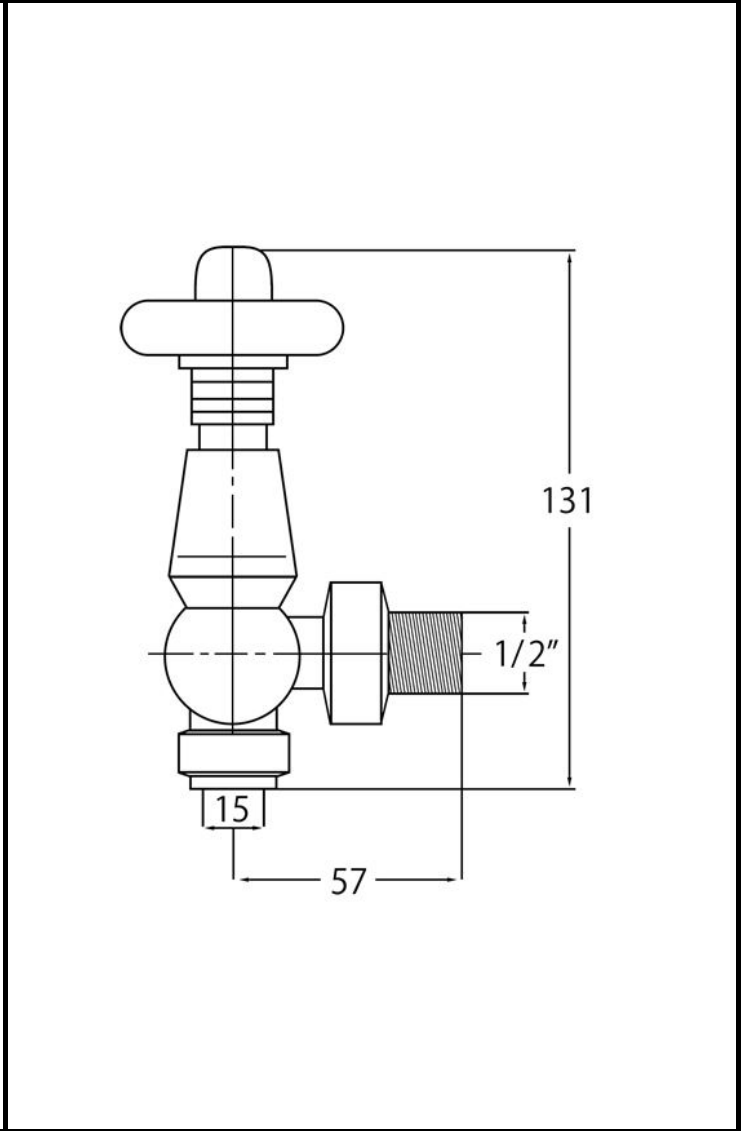
# B A Y S W A T E R

London W.2

**CODE:** BAYV109

**DESCRIPTION:** Angled Thermo Valve C/W Lockshield-Round

**CATEGORY:** Heating



PRODUCT DIMENSIONS				
Height (mm)	Width (mm)	Depth (mm)	Length (mm)	Nett Wgt Kg
131	55	97		0.9

PACKAGING DIMENSIONS			
Height (mm)	Width (mm)	Depth (mm)	Gross Wgt Kg
185	145	85	0.9

PACKAGING DATA			
Box Colour	White Cardboard Box		
Box Qty	1	Label Colour	White Label
Label Size	100 x 50	Label Qty	1

OUTER BOX DIMENSIONS (If Applicable)			
Height (mm)	Width (mm)	Length (mm)	Gross Wgt Kg
Barcode	5055275890233		

PRODUCT DETAILS	
Contry of Origin	United Kingdom
Fitting Instruction	Yes
RAL No	N/A
Heat Element Wattage	Not Applicable
BTU @ 50 Degrees	N/A
Thermal Output @ 50 Degrees	N/A
Pipe Centres	N/A
Volume	N/A
Wall to Ctr of Tappings	N/A
Duel Fuel	N/A

Certification	CE	N/A	RoHS	N/A	WEEE	No
Colour/Finish	Satin Nickel					
Product Material	Brass					
Heat Element Wattage Compatible	N/A					
BTU @ 60 Degrees	N/A					
Thermal Output @ 60 Degrees	N/A					
Max Projection	N/A					
Tube Diameter	15mm					
Floor to Ctr of Tappings	N/A					