

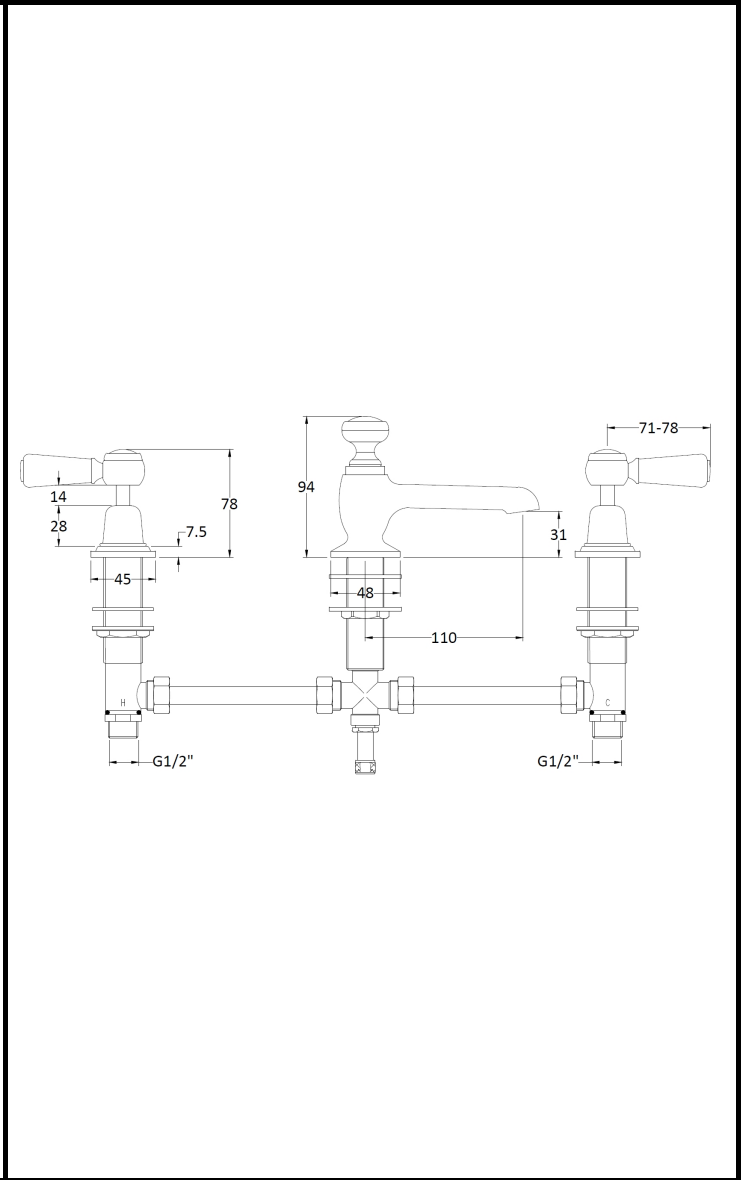
# B A Y S W A T E R

London W.2

**CODE:** BAYT347

**DESCRIPTION:** 3Th Deck Basin Mixer/Lever/Dome Coll

**CATEGORY:** Taps



PRODUCT DIMENSIONS				
Height (mm)	Width (mm)	Depth (mm)	Length (mm)	Nett Wgt Kg
75	246	86		2.9

PACKAGING DIMENSIONS			
Height (mm)	Width (mm)	Depth (mm)	Gross Wgt Kg
430	150	75	2.9

PACKAGING DATA			
Box Colour	White Cardboard Box		
Box Qty	1	Label Colour	White Label
Label Size	100 x 50	Label Qty	1

OUTER BOX DIMENSIONS (If Applicable)				
Height (mm)	Width (mm)	Depth (mm)	Length (mm)	Gross Wgt Kg
495	555	290		24
Barcode	5055275889473			

PRODUCT DETAILS			
Country of Origin	United Kingdom		
Fitting Instruction	Yes		
Product Material	Brass		
Control Type	Manual		
Waste Included	Waste Included		
WRAS Approval	No	Approval No.	N/A
Operating Pressure (bar)	0.1		
Valve/Cartridge Type	1/4 Turn Ceramic Disc		

Colour/Finish	Chrome			
Mount Type	Deck			
Waste Type	Pop-Up			
Flow Rates (L/min)	0.1	5.6	0.5	1 20.2 2 29 3 35.4
Pipe Size	15 mm (1/2" Bsp)			
Pipe Centres	N/A			