

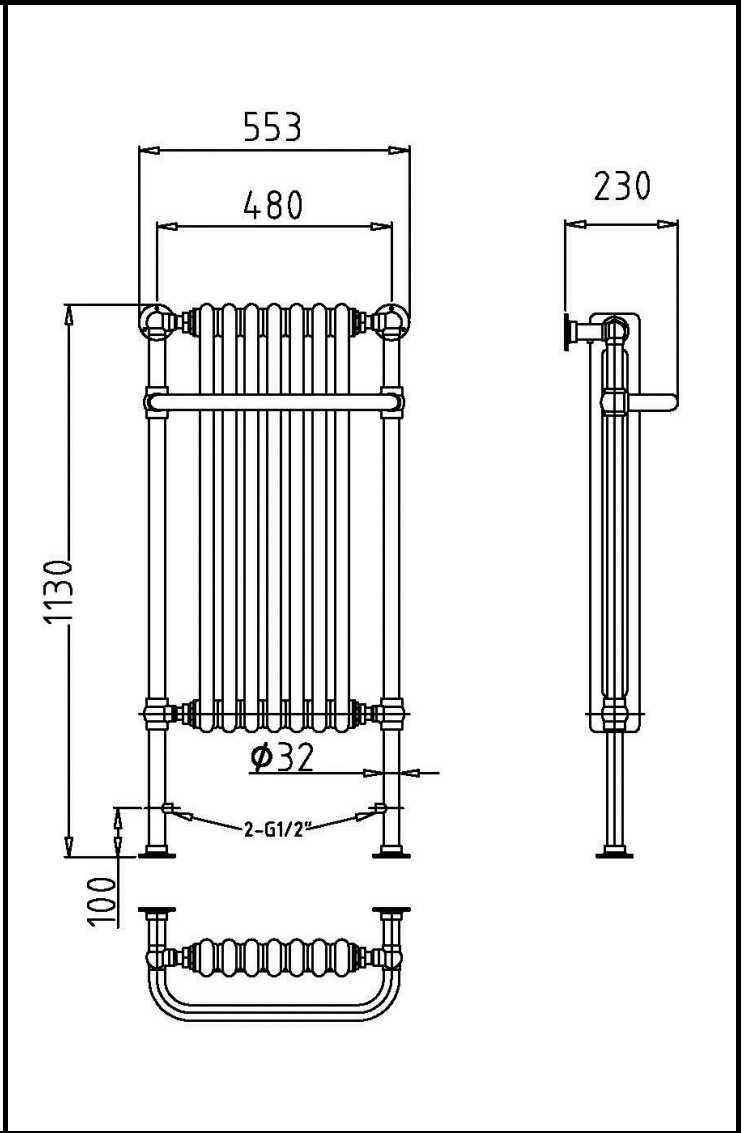
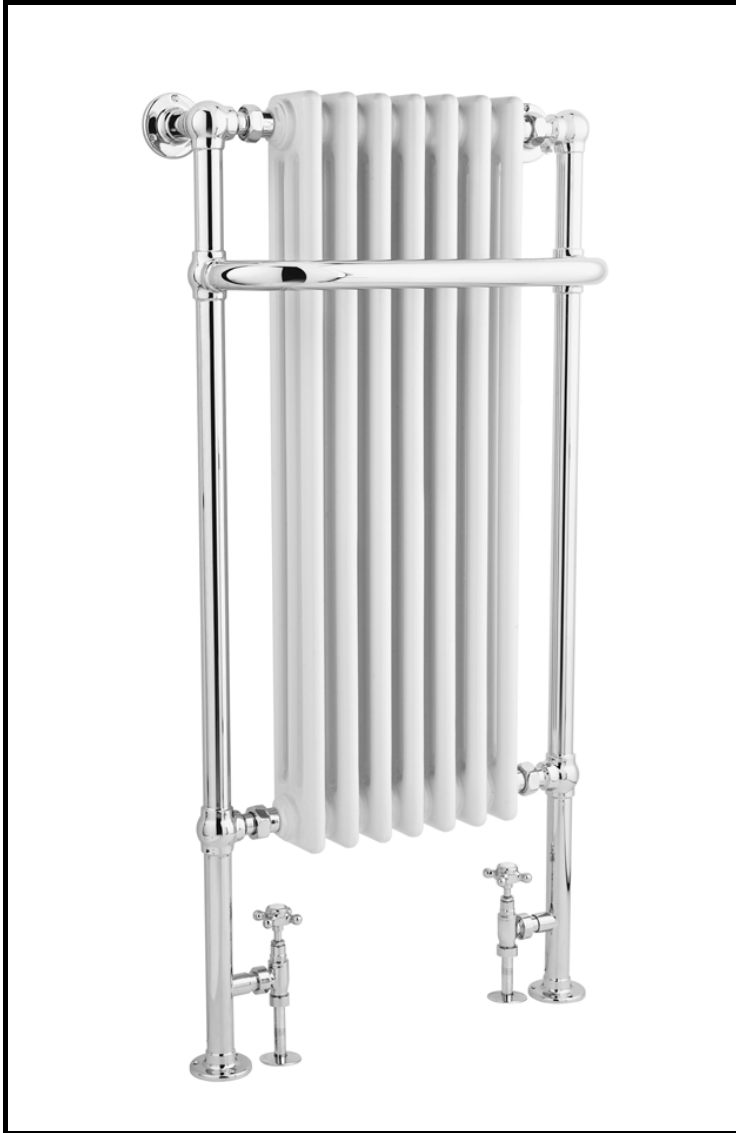
# B A Y S W A T E R

London W.2

**CODE:** BAYR006

**DESCRIPTION:** Wesley Towel Rail/Radiator 1130X553x230

**CATEGORY:** Heating



PRODUCT DIMENSIONS				
Height (mm)	Width (mm)	Depth (mm)	Length (mm)	Nett Wgt Kg
1130	553	230		23.48

PACKAGING DIMENSIONS			
Height (mm)	Width (mm)	Depth (mm)	Gross Wgt Kg
1185	620	300	23.48

PACKAGING DATA			
Box Colour	White Cardboard Shrinkwrapped		
Box Qty	1	Label Colour	White Label
Label Size	100 x 50	Label Qty	2

OUTER BOX DIMENSIONS (If Applicable)			
Height (mm)	Width (mm)	Length (mm)	Gross Wgt Kg
Barcode	5055275889954		

PRODUCT DETAILS	
Contry of Origin	United Kingdom
Fitting Instruction	Yes
RAL No	9016
Heat Element Wattage	Not Applicable
BTU @ 50 Degrees	2385
Thermal Output @ 50 Degrees	
Pipe Centres	325mm
Volume	216
Wall to Ctr of Tappings	100
Duel Fuel	N/A

Certification	CE	No	RoHS	N/A	WEEE	N/A
Colour/Finish	Chrome & White					
Product Material	Steel					
Heat Element Wattage Compatible	N/A					
BTU @ 60 Degrees	3029					
Thermal Output @ 60 Degrees	888W					
Max Projection	200mm					
Tube Diameter	32mm					
Floor to Ctr of Tappings	100					