

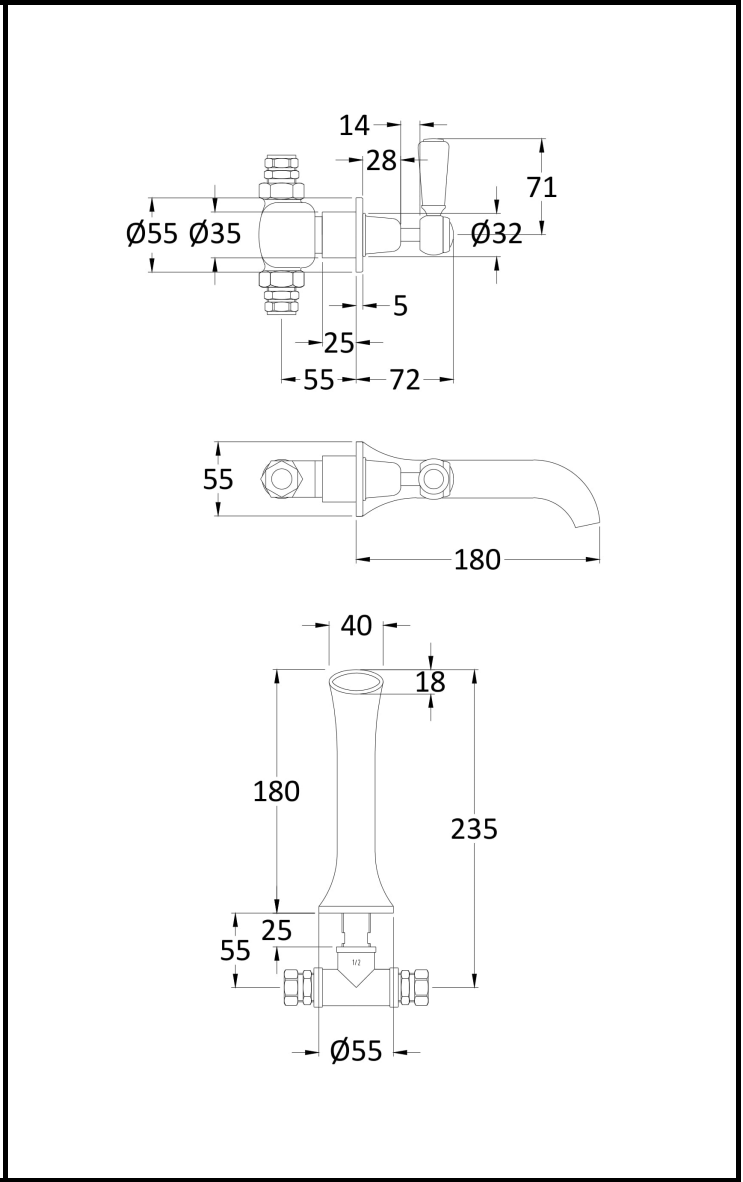
B A Y S W A T E R

London W.2

CODE: BAYT352

DESCRIPTION: Wall Mount 3Th Basin Tap Dome Lever

CATEGORY: Taps



| PRODUCT DIMENSIONS | | | | |
|--------------------|------------|------------|-------------|-------------|
| Height (mm) | Width (mm) | Depth (mm) | Length (mm) | Nett Wgt Kg |
| 55 | | 180 | | 2 |

| PACKAGING DIMENSIONS | | | |
|----------------------|------------|------------|--------------|
| Height (mm) | Width (mm) | Depth (mm) | Gross Wgt Kg |
| 65 | 350 | 213 | 2 |

| PACKAGING DATA | | | |
|----------------|---------------------|--------------|-------------|
| Box Colour | White Cardboard Box | | |
| Box Qty | 1 | Label Colour | White Label |
| Label Size | 100 x 50 | Label Qty | 1 |

| OUTER BOX DIMENSIONS (If Applicable) | | | | |
|--------------------------------------|---------------|------------|-------------|--------------|
| Height (mm) | Width (mm) | Depth (mm) | Length (mm) | Gross Wgt Kg |
| | | | | |
| Barcode | 5056211865421 | | | |

| PRODUCT DETAILS | |
|--------------------------|-----------------------|
| Country of Origin | China |
| Fitting Instruction | No |
| Product Material | Brass |
| Control Type | Manual |
| Waste Included | Waste Not Included |
| WRAS Approval | No Approval No. N/A |
| Operating Pressure (bar) | 0.1 |
| Valve/Cartridge Type | 1/4 Turn Ceramic Disc |

| | |
|--------------------|--------------------------------|
| Colour/Finish | Chrome |
| Mount Type | Wall |
| Waste Type | Not Applicable |
| Flow Rates (L/min) | 0.1 8 0.5 1 27.5 2 39.4 3 47.8 |
| Pipe Size | 15 mm (1/2" Bsp) |
| Pipe Centres | N/A |