

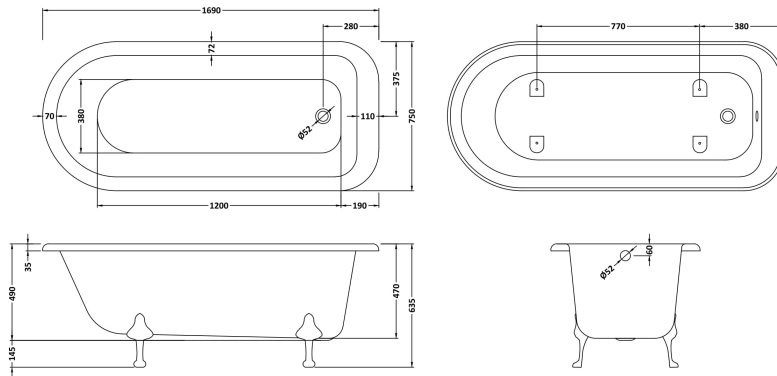
B A Y S W A T E R

London W.2

CODE: BAYB103

DESCRIPTION: Sutherland 1700 Single End F/Stand Bath

CATEGORY: Baths



PRODUCT DIMENSIONS			
Length (mm)	Width (mm)	Height (mm)	Nett Wgt Kg
1690	750	490	47.5

PACKAGING DIMENSIONS			
Length (mm)	Width (mm)	Height (mm)	Gross Wgt Kg
1710	770	510	47.5

PACKAGING DATA			
Box Colour	Brown Cardboard Sleeve		
Box Qty	1	Label Colour	White Label
Label Size	100 X 50	Label Qty	2

OUTER BOX DIMENSIONS (If Applicable)			
Length (mm)	Width (mm)	Height (mm)	Gross Wgt Kg
Barcode	5055275892503		

PRODUCT DETAILS				
Country of Origin	United Kingdom			
Fitting Instruction	No			
Product Material	Acrylic			
Volume (Ltr)	200L			
Leg Set Inc'	Legset Not Included			
Drilled/Undrilled	Undrilled For Taps			
Embossed	No			
Anti-Slip	No			
Certification	FSC	N/A	CE	
Material Colour Ref'	European White			
Material Thickness	14mm			
Displaced Capacity	130L			
Waste Inc'	Waste Not Included			
Includes Grips	No Grips Supplied			
No of Tapholes	None			