

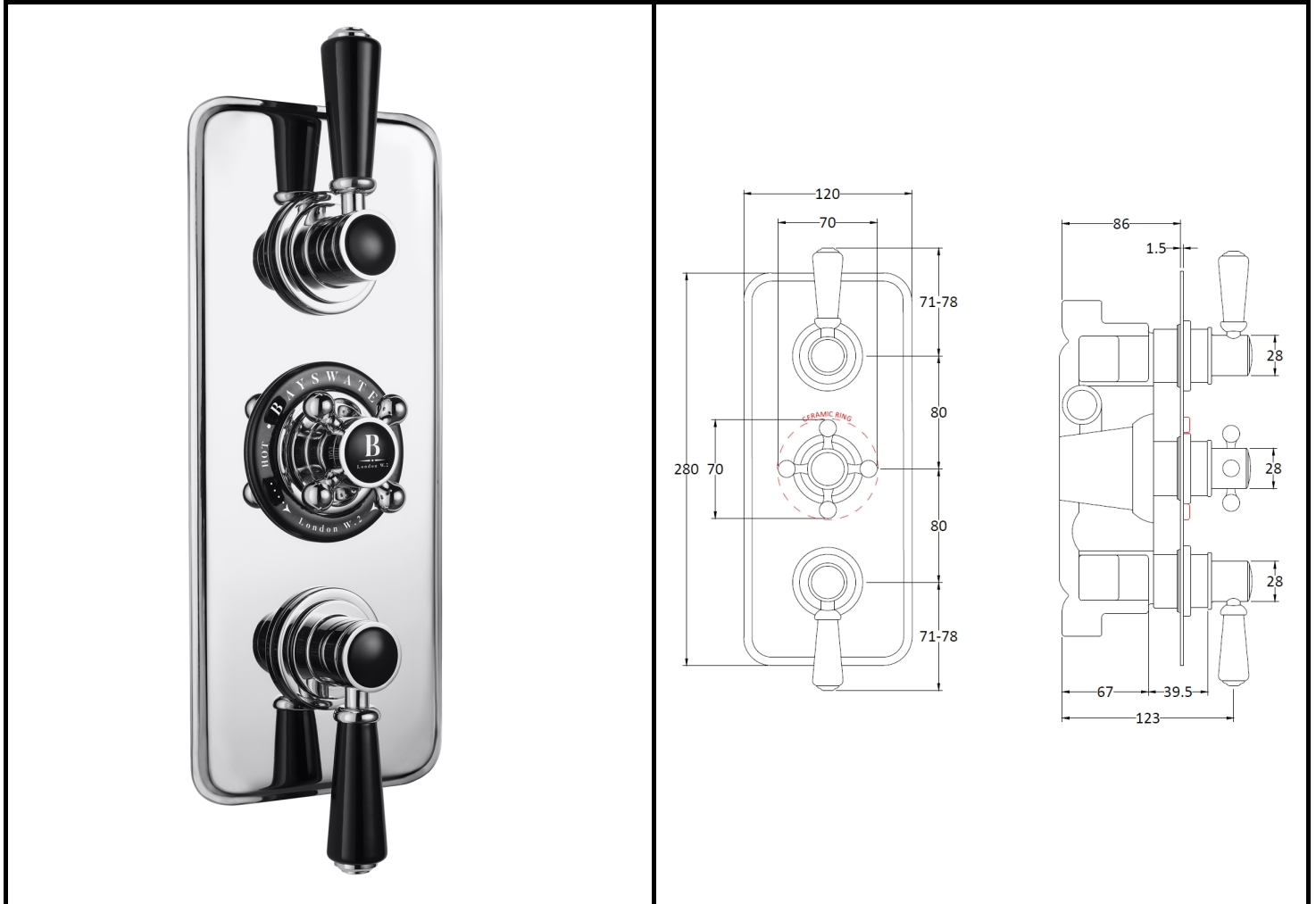
# B A Y S W A T E R

London W.2

**CODE:** BAYS403

**DESCRIPTION:** Triple Concealed Valve

**CATEGORY:** Showers



PRODUCT DIMENSIONS				
Length(mm)	Width (mm)	Height (mm)	Depth (mm)	Nett Wgt Kg
	120	320	135	3.4

PACKAGING DIMENSIONS			
Depth (mm)	Width (mm)	Height (mm)	Gross Wgt Kg
320	250	110	3.4

PACKAGING DATA			
Box Colour	White Cardboard Box		
Box Qty	1	Label Colour	White Label
Label Size	100 x 50	Label Qty	1

OUTER BOX DIMENSIONS (If Applicable)				
Length (mm)	Width (mm)	Height (mm)	Depth (mm)	Gross Wgt Kg
Barcode	5055275889725			

PRODUCT DETAILS										
Coutry of Origin	United Kingdom									
Fitting Instruction	Yes									
Product Material	Brass/ABS									
Mount Type	Wall, Recessed									
Outlet Elbow Supplied	No									
Easy Clean	Not Applicable									
Head Included	No									
Handset Included	No									
Body Jets Included	Not Applicable									
No of Body Jets	Not Applicable									
Operating Pressure (bar)	0.1									
Valve/Cartridge Type	1/4 Turn Ceramic Disc									
Flow Rates (L/min)	0.1 bar	5.5	0.5 bar	14	1 bar	20	2 bar	29	3 bar	44
TMV2 Approved	Yes				Approval No.	Bc 1875 00817				
TMV3 Approved	Yes				Approval No.	Nsf 1938 1217				
WRAS Approved	Yes				Approval No.	1703023				
Head Function	Not Applicable									
Handset Function	Not Applicable									
Body Jet Info	Not Applicable									
Pipe Size	15 mm (1/2" Bsp)									
Pipe Centres	N/A									
Colour/Finish	Chrome									
Hose Included	Not Applicable									