

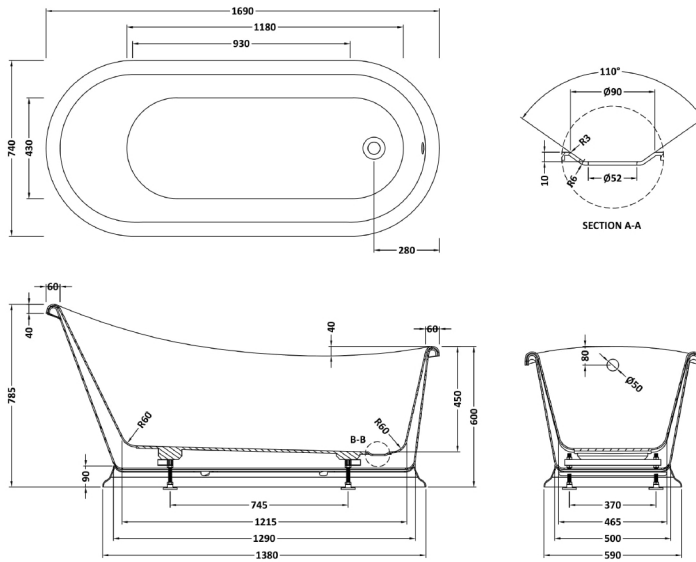
B A Y S W A T E R

London W.2

CODE: BAYB115

DESCRIPTION: 1690 Freestanding Slipper Boat Bath

CATEGORY: Baths



PRODUCT DIMENSIONS

Length (mm)	Width (mm)	Height (mm)	Nett Wgt Kg
1690	740	785	39.5

PACKAGING DIMENSIONS

Length (mm)	Width (mm)	Height (mm)	Gross Wgt Kg
1860	800	1200	40

PACKAGING DATA

Box Colour	Polystyrene Moulded Box		
Box Qty	1	Label Colour	White Label
Label Size	100 X 50	Label Qty	2

OUTER BOX DIMENSIONS (If Applicable)

Length (mm)	Width (mm)	Height (mm)	Gross Wgt Kg
Barcode	5056462620893		

PRODUCT DETAILS

Country of Origin	Hong Kong	Certification	FSC	N/A	CE	N/A
Fitting Instruction	No	Material Colour Ref'	Stiffkey Blue			
Product Material	Acrylic	Material Thickness	20mm			
Volume (Ltr)	200L	Displaced Capacity	130L			
Leg Set Inc'	Legset Included	Waste Inc'	Waste Not Included			
Drilled/Undrilled	Undrilled For Taps	Includes Grips	No Grips Supplied			
Embossed	No	No of Tapholes	None			
Anti-Slip	No					