

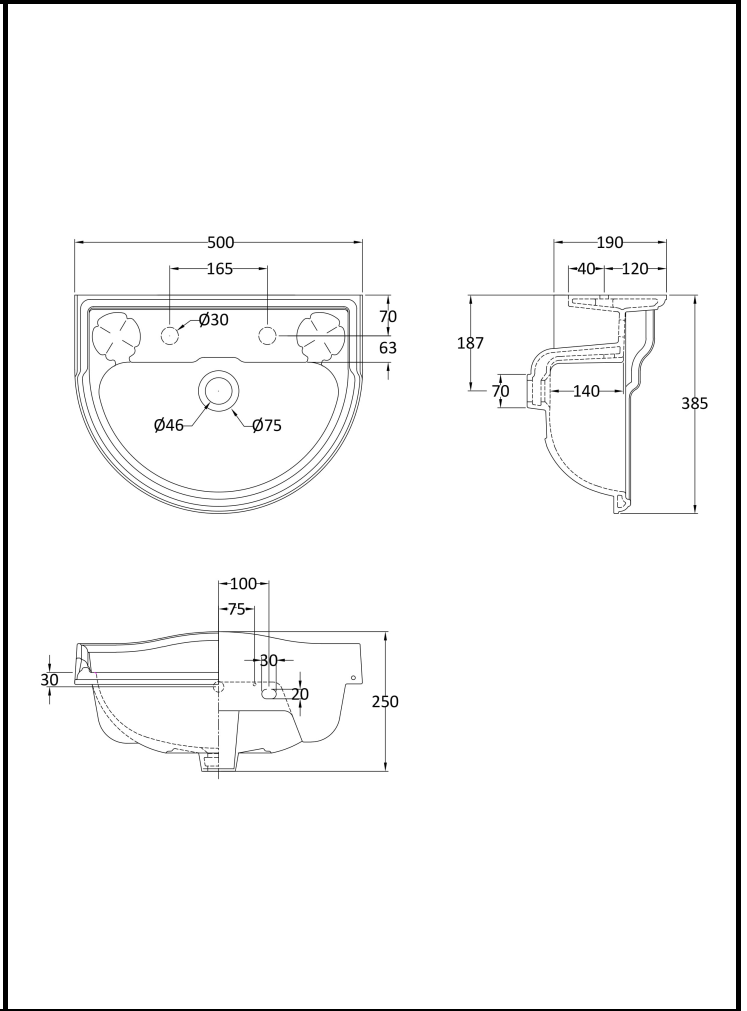
B A Y S W A T E R

London W.2

CODE: BAYC105

DESCRIPTION: Porchester 500 Basin 2Th

CATEGORY: Ceramics



PRODUCT DIMENSIONS			
Height (mm)	Width (mm)	Depth (mm)	Nett Wgt Kg
270	500	380	11

PACKAGING DIMENSIONS			
Height (mm)	Width (mm)	Depth (mm)	Gross Wgt Kg
390	510	270	11.5

PACKAGING DATA			
Box Colour	White Cardboard Box		
Box Qty	1	Label Colour	Not Applicable
Label Size	100 x 50	Label Qty	0

OUTER BOX DIMENSIONS (If Applicable)			
Height (mm)	Width (mm)	Depth (mm)	Gross Wgt Kg
Barcode	5055275892404		

PRODUCT DETAILS			
Country of Origin	China		
Fitting Instruction	Yes	Colour	White

Certification	CE	N/A	WRAS	N/A	WRAS Number	N/A
Product Material	Vitreous China					

PANS/BIDETS			
Trap Style	Not Applicable	Includes Seat	Not Applicable

CISTERNS			
Fittings	Not Applicable	Operating Type	Not Applicable
Lever Type	Not Applicable		

SEAT			
Type	Not Applicable	Function	Not Applicable
Material	Not Applicable		
Hinge Type	Not Applicable	Hinge Material	Not Applicable

BASINS			
Tap Hole	Two Tapholes	Chain Stay Hole	No
Template	Not Required	Waste Type Req'd	Slotted
Overflow Incl.	Yes	Overflow Cover	Yes
Inner Bowl Depth	135mm	Inner Bowl Width	380mm
Inner Bowl Height	135mm		

GENERAL	
Fixing Supplied	No