

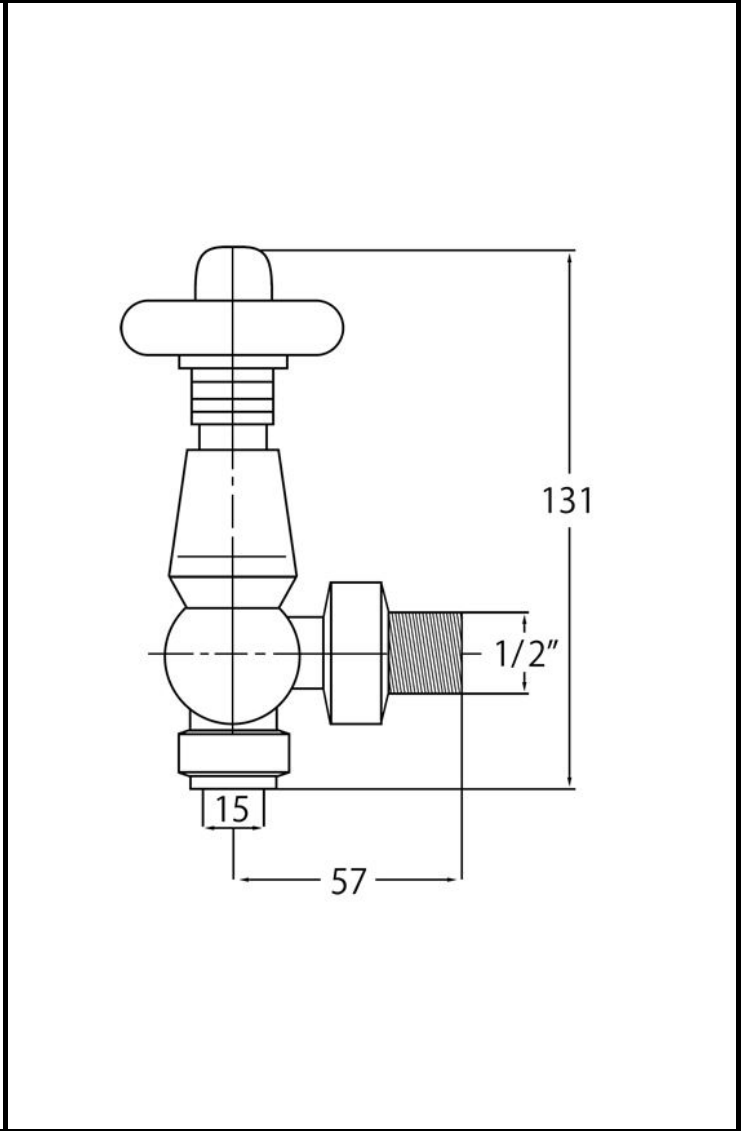
B A Y S W A T E R

London W.2

CODE: BAYV107

DESCRIPTION: Angled Thermo Valve C/W Lockshield-Round

CATEGORY: Heating



PRODUCT DIMENSIONS				
Height (mm)	Width (mm)	Depth (mm)	Length (mm)	Nett Wgt Kg
131	55	97		0.83

PACKAGING DIMENSIONS			
Height (mm)	Width (mm)	Length (mm)	Gross Wgt Kg
185	145	85	0.83

PACKAGING DATA			
Box Colour	White Cardboard Box		
Box Qty	1	Label Colour	White Label
Label Size	100 x 50	Label Qty	1

OUTER BOX DIMENSIONS (If Applicable)			
Height (mm)	Width (mm)	Length (mm)	Gross Wgt Kg
Barcode	5055275890219		

PRODUCT DETAILS						
Contry of Origin	United Kingdom					
Fitting Instruction	No					
RAL No	N/A					
Heat Element Wattage	Not Applicable					
BTU Outputs	30°C	N/A	50°C	N/A	60°C	
Pipe Centres	N/A					
Packaging Volume (L)	N/A					
Wall to Ctr of Tappings	N/A					
Dual Fuel	N/A					

Certification	CE	N/A	RoHS	N/A	WEEE	No
Colour/Finish	Antique Brass					
Product Material	Brass					
Heat Element Wattage Compatible	N/A					
Thermal Outputs (Watts)	30°C	N/A	50°C	N/A	60°C	
Max Projection	N/A					
Tube Diameter	15mm					
Floor to Ctr of Tappings	N/A					