

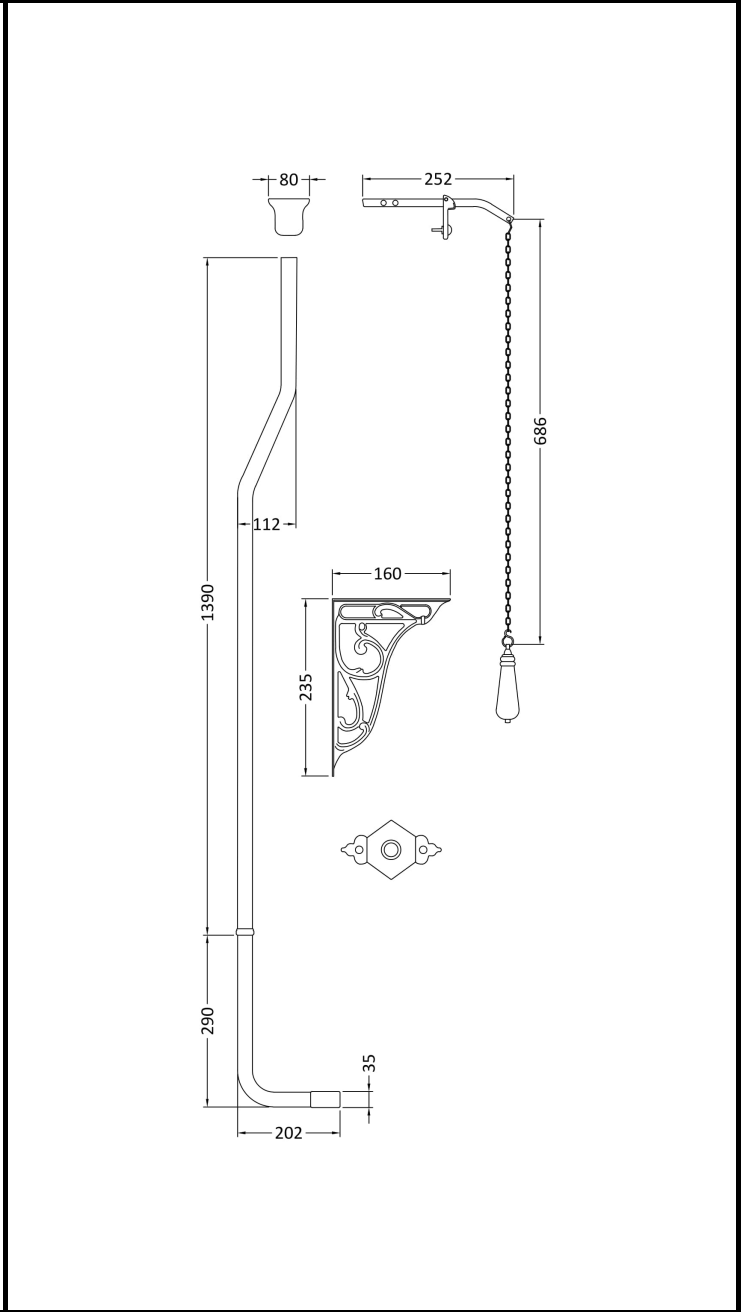
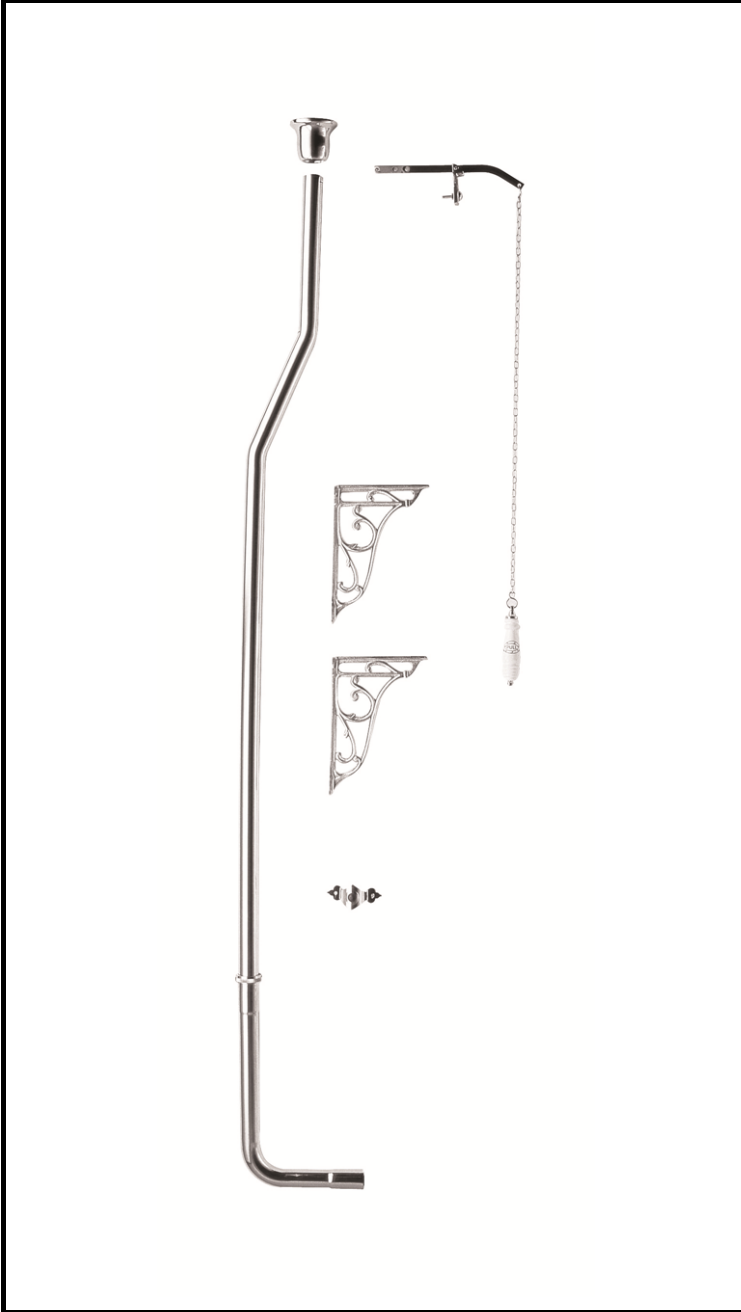
B A Y S W A T E R

London W.2

CODE: BAYA015

DESCRIPTION: High Level Flush Pipe Pack

CATEGORY: Wastes & Extras



PRODUCT DIMENSIONS				
Height (mm)	Width (mm)	Length (mm)	Depth (mm)	Nett Wgt Kg
1683	80		205	3.07

PACKAGING DIMENSIONS			
Height (mm)	Width (mm)	Depth (mm)	Gross Wgt Kg
	100	1435	3.07

PACKAGING DATA			
Box Colour	White Cardboard Box		
Box Qty	1	Label Colour	White Label
Label Size	100 x 50	Label Qty	2

OUTER BOX DIMENSIONS (If Applicable)				
Height (mm)	Width (mm)	Length (mm)	Depth (mm)	Gross Wgt Kg
Barcode	5055275890417			

PRODUCT DETAILS	
Country of Origin	China
Fitting Instruction	No
Product Material	Brass
Heating Element Wattage	Not Applicable

CE Certification	N/A
Colour/Finish	Chrome
Product Diameter	35mm
Connection Size	11/2"